

17-03

Department of Lands Integral survey of N.S.W.
RECONNAISSANCE and MAINTENANCE REPORT

This Trig. Station has been:-

Note: Cross out word or words which do not apply

1. Completely cleared to permit 360° vision to surrounding Trigs.
2. Cleared by Jones bearing..... from Trig. Mast
3. Trig. Mast & Vanes have been painted white & black respectively.
4. The Trig. was unpiled/not unpiled, dimensions now being:

Description of mark steel plate or steel pillar..... should be explicit, e.g. Steel plug, Brass plug, Bal. Concrete Pillar
 Height of mark..... m ^{above} rock/concrete..... m ^{below} G.L.

Height of Top Vanes to Top Mark/Top pillar plate..... 1.20 m Diameter of Vanes (vertical)..... 0.59 m.

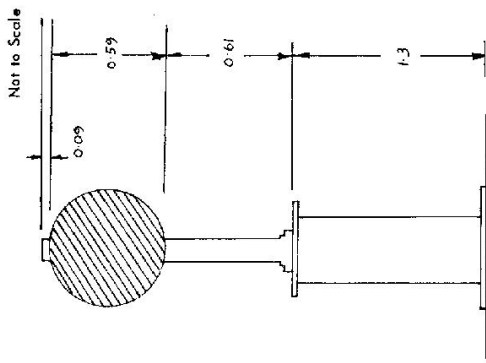
Height of Cairn..... m. Diameter of Cairn..... m.

5. A..... set in conc/rock has been placed/fd..... m. bearing.....°M from Trig. Mast/pillar
6. A..... set in conc/soil has been placed/fd..... m. bearing.....°M from Trig. Mast/pillar
7. A..... set in conc/soil has been placed/fd..... m. bearing.....°M from Trig. Mast/pillar
8. A..... set in conc/rock has been placed/fd..... m. bearing.....°M from Trig. Mast/pillar

9. Connection..... to..... m. bearing.....°M
10. Connection..... to..... m. bearing.....°M
11. Connection..... to..... m. bearing.....°M
12. Connection..... to..... m. bearing.....°M
13. Diff. Ht. is..... m. ^{above}/_{below}
14. Diff. Ht. is..... m. ^{above}/_{below}
15. Diff. Ht. is..... m. ^{above}/_{below}
16. Diff. Ht. is..... m. ^{above}/_{below}

Prepared by: RICHARD DUNNING Checked: BRUNO PONS

STATION JELLI COE T.S. 10852
 Co: COURALLIE Ph: MOREE
 Map Sheet: 1/4000 ORTHOPHOTOMAP SERIES No: N.B.132 - 1
 Inspected by: R.J. DUNNING Date: 26 FEB 1985
 Authority MOREE LANDS OFFICE Field Book:



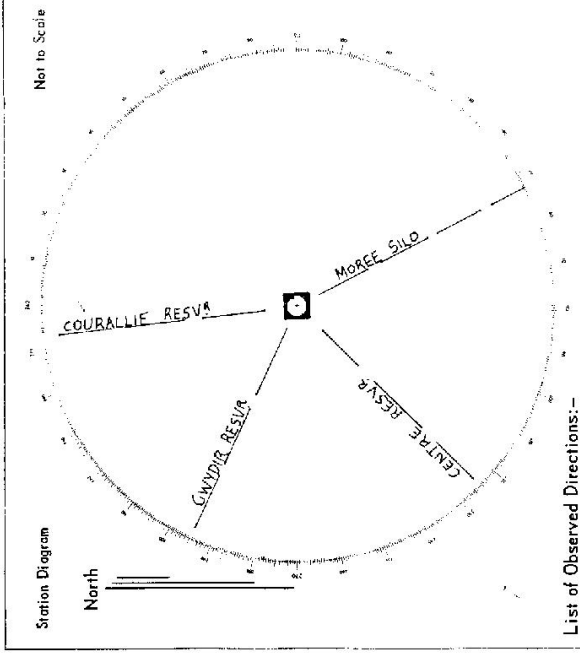
Date	Record of Station

STATION **JELlicoe T.S. 10852.**

Owners Name: **MOREE PLAINS SHIRE COUNCIL**
 Current Occupant: **MOREE PLAINS SHIRE COUNCIL**
 Address: **MOREE PLAINS SHIRE COUNCIL**

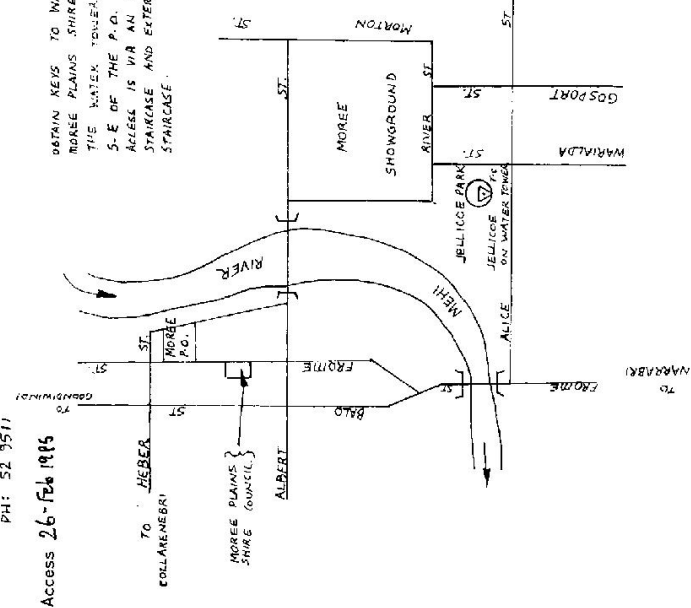
MOREE 2400
 PH: 52 9511

Access **26 Feb 1995**
 DETAIN KEYS TO WATER TOWER FROM MOREE PLAINS SHIRE COUNCIL. THE WATER TOWER IS BEING AVOID ROOM S.E. OF THE P.O. ACCESS IS VIA AN INTERNAL LADDER STAIRCASE AND EXTERNAL SPIRAL STAIRCASE.



List of Observed Directions: -

Standpoint:		Station:	
Station	Direction	Station	Direction



D. West, Government Printer, New South Wales - 1976