

7-4-98

CENTRAL MAPPING AUTHORITY
Department of Lands

Trigonometrical Survey of N.S.W.

RECONNAISSANCE or MAINTENANCE REPORT

No. 10818

STATION DAPTO RE ERVOR R 347

Co: CAMDEN Ph: CALDERWOOD

Map Sheet: DAPTO U7377 No: 9

Inspected by: R MUSELS Date: 7-1-83

Authority: M W S & D B Field Book: 5701 RE

Beacon Diagram Net to Scale

Date Record of Station

This Trig. Station has been:-

Note: Cross out word or words which do not apply

1. Completely cleared to permit 360° vision to surrounding Trigs.
2. ~~Cleared by loose bearing.~~ from Trig. Mast
3. Trig. Mast & Vanes have been painted ~~white & black~~ respectively. * Reservoir Green & Black
4. ~~The Trig. was unspiled/not unspiled, dimensions now being:~~

Description of mark ~~steel plug at centre of water reservoir~~ should be explicit, e.g. Steel plug, Brass plug, Bolt, G.I. Pipe

Height of mark 1.33 m ~~above below~~ ^{above} ~~below~~ rock-concrete 17.6 m ^{above} ~~below~~ G.L.

Height of Top Vanes to Top Mark 2.4 m. Diameter of Vanes (vertical) 0.61 m.

~~Height of Centre~~ m. ~~Diameter of Centre~~ m.

Length of Mast 1.22 m. (approximate if not unspiled)

5. A set in conc/rock has been placed m. bearing °M from Trig. Mast
6. A set in conc/soil has been placed m. bearing °M from Trig. Mast
7. A set in conc/soil has been placed m. bearing °M from Trig. Mast
8. A set in conc/rock has been placed m. bearing °M from Trig. Mast
9. Connection to m. bearing °M
10. Connection to m. bearing °M
11. Connection to m. bearing °M
12. Connection to m. bearing °M
13. Diff. Ht. is m. ^{above} ~~below~~
14. Diff. Ht. is m. ^{above} ~~below~~
15. Diff. Ht. is m. ^{above} ~~below~~
16. Diff. Ht. is m. ^{above} ~~below~~

Prepared by: Checked: Noted on U.T.M. Card

TS 10818

TS 10818

TS 10818

Integration by of N.S.W.

Department of Lands

RECONNAISSANCE and MAINTENANCE REPORT

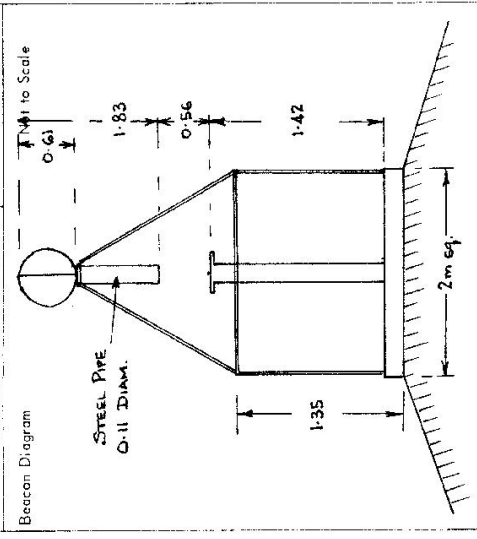
STATION DAPTO RESERVOIR

Co: CAMDEN
 Ph: CALDERWOOD
 Map Sheet: KEMBLA GRANGE No: 8277
 Inspected by: L.G. TREVORROW Date: 14-3-83
 Authority: SURVEY CONTROL Bch Field Book:

Note: Cross out word or words which do not apply

This Trig. Station has been:-

1. Completely cleared to permit 360° vision to surrounding Trigs.
2. ~~Cleared by James-bearing~~ ^{green} from Trig. Mast
3. Trig. Mast & Vanes have been painted ~~white~~ & black respectively.
4. The Trig. was unpiled/not unpiled, dimensions now being:
 Description of mark: ~~STEEL PILLAR AND QUADRIPED~~ should be explicit, e.g. Steel plug, Brass plug, Bolt, Concrete Pillar
 Height of mark: ~~1.42~~ m ^{PLATFORM} _{steel-concrete} above ^{below} TOP OF TANK G.L.
 Height of Top Vanes to Top Mark/Top pillar plate: ~~3.0~~ m Diameter of Vanes (vertical) 0.61 m.
 Height of Cairn: m. Diameter of Cairn: m.
- Length of Mast: m. (approximate if not unpiled)
5. A. set in conc/rock has been placed/fd m. bearing °M from Trig. Mast/pillar
6. A. set in conc/soil has been placed/fd m. bearing °M from Trig. Mast/pillar
7. A. set in conc/soil has been placed/fd m. bearing °M from Trig. Mast/pillar
8. A. set in conc/rock has been placed/fd m. bearing °M from Trig. Mast/pillar
9. Connection to: m. bearing °M
10. Connection to: m. bearing °M
11. Connection to: m. bearing °M
12. Connection to: m. bearing °M
13. Diff. Ht. is: m. ^{above} _{below}
14. Diff. Ht. is: m. ^{above} _{below}
15. Diff. Ht. is: m. ^{above} _{below}
16. Diff. Ht. is: m. ^{above} _{below}



TOP OF RESERVOIR

R 347

Date Record of Station

Prepared by: L.G. TREVORROW Checked:

STATION DAPTO) RESERVOIR TS 10818

Current Occupant... M.W.S. P.B.

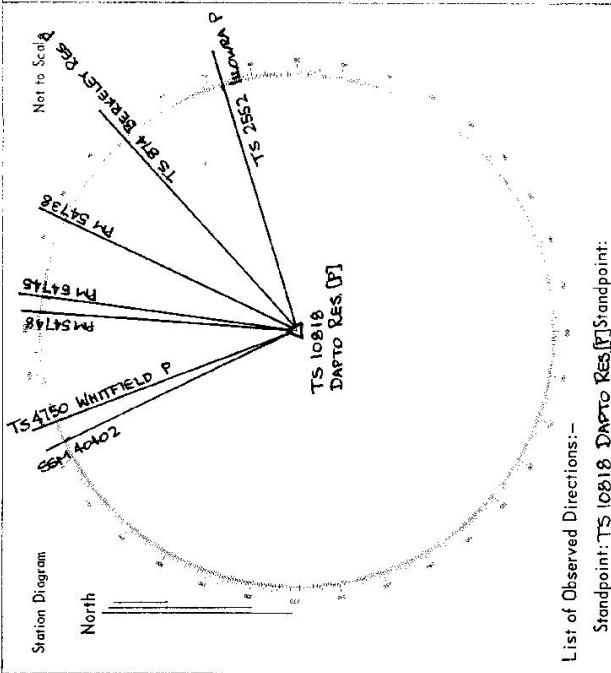
Address.....

Owners Name... M.W.S. P.B.

Address.....

14-3-1983

Access



List of Observed Directions:-

Standpoint: TS 10818 DAPTO RES. P. Standpoint:

Station	Direction	Station	Direction
PM 54748	A 13 56		
PM 54745	7 59 36		
PM 54738	25 13 36		
TS 874 BERKELEY RES P	47 55 00		
TS 2552 ILLAWARRA P	78 07 51		
SSM A0402	334 40 24		
TS 4750 WHITFIELD P	339 49 25		

