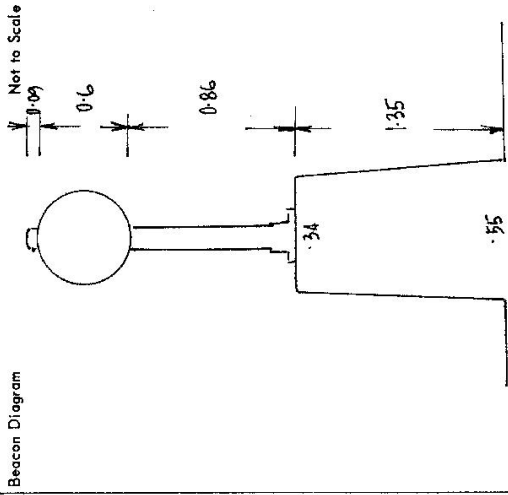


TS 10817

STATION TS 10817 **BIRNAMWOOD [P]**
 Co: **Hunter** | Ph: **Lewington**
 Map Sheet: **SINGLETON** | No: **9132**
 Inspected by: **A DUFFY** | Date: **16.11.82**
 Authority: **SC.B. NCLUE** | Field Book: **1990**



Date	Record of Station
1. 11.82	Pillar Erected

Department of Lands | Integrating Survey of N.S.W. | RECONNAISSANCE and MAINTENANCE REPORT

This Trig. Station has been:-
 Note: Cross out word or words which do not apply

1. Completely cleared to permit 360° vision to surrounding Trigs. ✓
2. Cleared by ~~lines-bearing~~ **from Trig-Mast**
3. Trig. Mast & Vanes have been painted white & black respectively. ✓
4. The Trig. was unpiled/~~not-unpiled~~, dimensions now being:

Description of mark... **concrete pillar** should be explicit, e.g. Steel plug, Brass plug, Bolt, Concrete Pillar
 Height of mark... **1.35** m above ~~concrete~~ **concrete**
 Height of Top Vanes to ~~Top-Mark~~ **Top pillar plate** **1.46** m Diameter of Vanes (vertical) **0.6** m.
 Height of ~~Cap~~ **Cap** **1.35** m. Diameter of ~~Cap~~ **Cap** **0.34/0.55** m.
 Length of Mast **1.55** m. (approximate if not unpiled)

5. A **G.P. 1** set in conc/~~soil~~ has been placed/~~fd~~ **0.30** m. bearing **345**°M from Trig. Mast/pillar
6. A **G.P. 2** set in conc/~~soil~~ has been placed/~~fd~~ **0.18** m. bearing **74**°M from Trig. Mast/pillar
7. A ~~set in conc/soil~~ has been placed/~~fd~~ m. bearing °M from Trig. Mast/pillar
8. A ~~set in conc/rock~~ has been placed/~~fd~~ m. bearing °M from Trig. Mast/pillar

9. Connection **G.P. 1** to **G.P. 2** : **4.308** m. bearing **336**°M
10. Connection to : m. bearing °M
11. Connection to : m. bearing °M
12. Connection to : m. bearing °M
13. Diff. Ht. **Pillar plate** is **0.247** m. ^{above} **G.P. 2**
14. Diff. Ht. **Pillar plate** is **1.553** m. ^{above} **G.P. 1**
15. Diff. Ht. **G.P. 2** is **1.306** m. ^{above} **G.P. 1**
16. Diff. Ht. is m. ^{above} **G.P. 1**

Prepared by: **[Signature]** | Checked: **[Signature]**

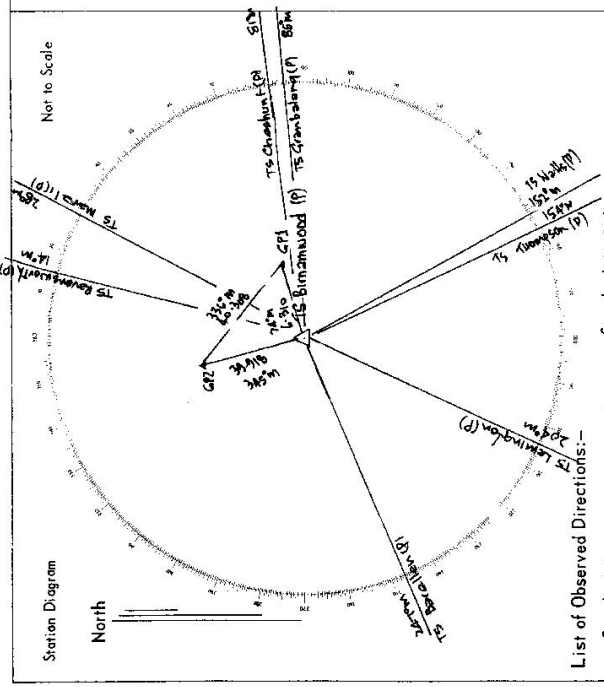
STATION TS 10817 BIRNAMWOOD P

Owners Name: Coal of Allied
 Current Occupant: Hopley Valley No 2 Coll.
 Address: NEXHAM
 Address: Jervis Plains

Access 16-11-1982
 Singleton 0-0
 26-0 Turn right onto Mission Dieu Rd at Sign Jervis Plains Road
 27-4 Turn left over arid onto gravel road.
 29-1 Grid.
 29-35 Take R.H. track
 29-5 Turn off track to right and make way up slope to TS.
 29-7 T.R.I.G.

Conventional vehicle access.

D. West, Government Printer, New South Wales - 1976



List of Observed Directions:-

Station	Direction	Station	Direction
TS Remington (P)	204° 50' 00"	TS Birnamwood (P)	0° 00' 00"
TS Marshall (P)	247° 52' 48.5"	GP2	81° 51' 11.5"
TS Chestnut (P)	346° 12' 54.7"		
TS Grembling (P)	14° 18' 17.9"		
TS Wefts (P)	28° 20' 52.4"		
TS Thompson (P)	75° 14' 42.1"		
GP2	81° 31' 08.0"		
TS Chestnut (P)	85° 34' 48.3"		
TS Grembling (P)	152° 12' 25.6"		
TS Wefts (P)	154° 22' 13.1"		
TS Thompson (P)			