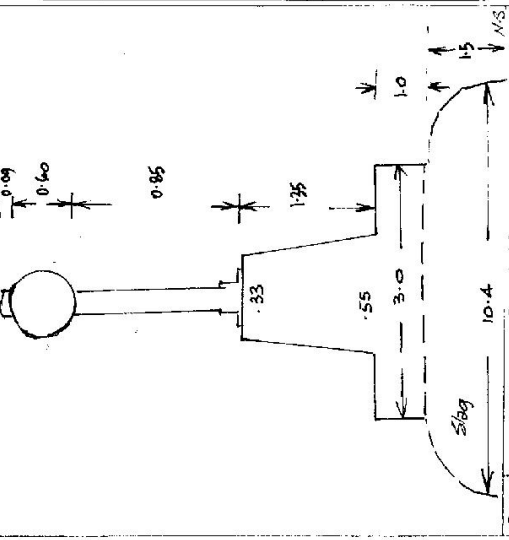


TS 10792

Department of Lands **Integral Survey of N.S.W** **RECONNAISSANCE and MAINTENANCE REPORT** STATION **TS MOSCHETO [P]** 10792

Co: **Northumberland** Ph: **Newcastle**  
 Map Sheet: **NEWCASTLE** No: **9232**  
 Inspected by: **T. CRONK** Date: **23.2.82**  
 Authority: **ISB NELLE** Field Book: **1793/2A**

Beacon Diagram Not to Scale



Date	Record of Station
1971/82	Pillar Erected by BHP.

This Trig. Station has been: completely cleared to permit 360° vision to surrounding Trigs. ✓  
 Note: Cross out word or words which do not apply

1. Completely cleared by James bearing ✓  
 2. Cleared by James bearing ✓ From Trig. Mast

3. Trig. Mast & Vanes have been painted white & black respectively. ✓

4. The Trig. was unpiled/~~not unpiled~~, dimensions now being: NEW STATION

Description of mark: concrete pillar should be explicit, e.g. Steel plug, Brass plug, Bolt, Concrete Pillar

Height of mark: 3.85 m above rock-concrete G.L.

Height of Top Vanes to ~~Top Mast~~ Top pillar plate: 1.45 m Diameter of Vanes (vertical): 60 m.

Height of Cairn:   m. Diameter of Cairn:   m.

Length of Mast: 1.54 m. (approximate if not unpiled)

5. A   set in conc./rock has been placed/fd   m. bearing   °M from Trig. Mast/pillar

6. A   set in conc./soil has been placed/fd   m. bearing   °M from Trig. Mast/pillar

7. A   set in conc./soil has been placed/fd   m. bearing   °M from Trig. Mast/pillar

8. A   set in conc./rock has been placed/fd   m. bearing   °M from Trig. Mast/pillar

9. Connection   to   m. bearing   °M

10. Connection   to   m. bearing   °M

11. Connection   to   m. bearing   °M

12. Connection   to   m. bearing   °M

13. Diff. Ht.   is   m. above below

14. Diff. Ht.   is   m. above below

15. Diff. Ht.   is   m. above below

16. Diff. Ht.   is   m. above below

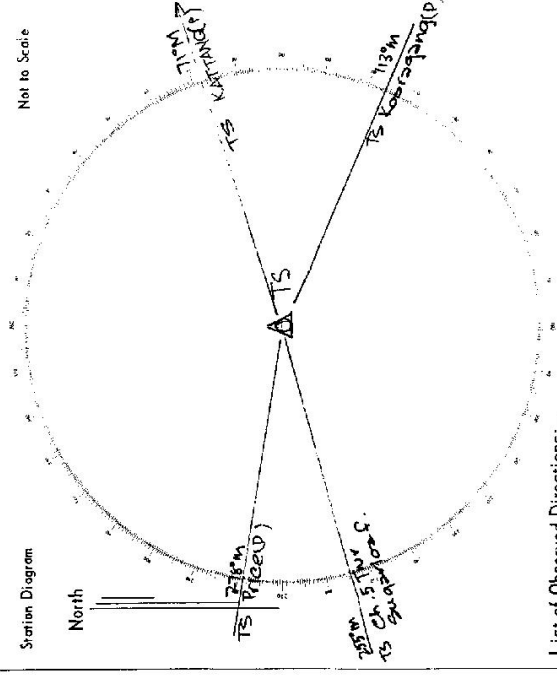
Prepared by: [Signature] Checked: [Signature]

STATION TS MOSCHETO (P) 10792

Owners Name: Kooringang Coal Loader  
 Current Occupant: Owner  
 Address: Kooringang Isl.  
 Newcastle

Access 232-82  
 From Industrial Hwy and Toule St Mayfield  
 Travel Toule St to Kooringang Isl.  
 Bridge  
 Turn left onto gravel road through gates. 3-2  
 Trig on RHS of road. 4-0

2 wheel drive access



List of Observed Directions:-

Standpoint: Pillar		Standpoint:	
Station	Direction	Station	Direction
TS Kooringang (P)	0° 40' 00"		
TS Price (Ch. Stone)	141° 22' 26.2"		
TS Price (P)	165° 16' 45.1"		
TS Kaitang (P)	319° 20' 54.8"		
Station	Direction	Station	Direction