

75-109

Department of Lands Integration Sur of N.S.W. RECONNAISSANCE and MAINTENANCE REPORT

STATION T 5 10790 THIESS (P)

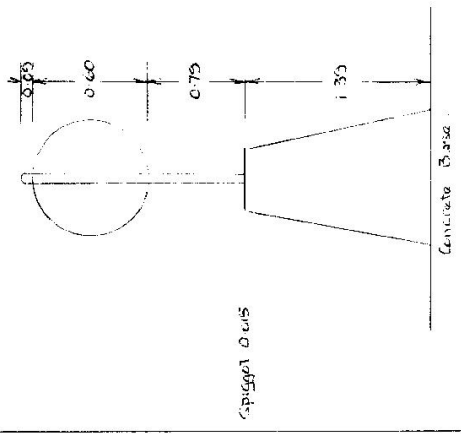
This Trig. Station has been: Note: Cross out words or words which do not apply

Co: DURHAM Ph: WYNN
 Map Sheet: M5411/100K 1:25000 No: 2-33 11-N
 Inspected by: A. McGILLIVRAY Date: 18-2-82
 Authority: SURVEY CONTROL BRANCH Field Book: PDP 1757/11
 Beacon Diagram P 26131 F 8 25 Not to Scale

1. Completely cleared to permit 360° vision to surrounding Trigs.
2. Cleared by ~~James-bearing~~ from Trig. Mast
3. Trig. Mast & Vanes have been painted white & black respectively.
4. The Trig. was unpiled/not unpiled, dimensions now being: NEW STATION

Description of mark: ~~Concrete Pillar~~ should be explicit, e.g. Steel plug, Brass plug, Bolt, Concrete Pillar
 Height of mark: ~~1.33~~ m ^{above} ~~below~~ ~~reef/concrete~~ 1.33 m ^{above} ~~below~~ G.L.
 Height of Top Vanes to ~~Top Mark~~/Top pillar plate: ~~1.33~~ m Diameter of Vanes (vertical) 0.60 m.
 Height of Cairn: m Diameter of Cairn: m.

- Length of Mast: m. (approximate if not unpiled)
5. ~~Aluminum~~ set in conc/reef has been placed/fd ~~3.33~~ m bearing ~~294~~ °M from Trig. ~~Mast~~/pillar
 6. ~~Alu. Pipe~~ set in conc/~~soil~~ has been placed/fd ~~7.108~~ m bearing ~~24~~ °M from Trig. ~~Mast~~/pillar
 7. A set in conc/soil has been placed/fd m bearing m from Trig. Mast/pillar
 8. A set in conc/rock has been placed/fd m bearing m from Trig. Mast/pillar
 9. Connection ~~to 61290~~ to ~~61290~~ : ~~11.330~~ m bearing ~~31~~ °M
 10. Connection to m bearing m
 11. Connection to m bearing m
 12. Connection to m bearing m
 13. Diff. Ht. ~~Aluminum~~ is ~~1.330~~ m ^{above} ~~below~~ ~~Pillar Plate~~
 14. Diff. Ht. ~~Alu. Pipe~~ is ~~1.330~~ m ^{above} ~~below~~ ~~Pillar Plate~~
 15. Diff. Ht. is m ^{above} ~~below~~
 16. Diff. Ht. is m ^{above} ~~below~~



Date	Record of Station
Feb 82	Pillar erected

Prepared by: D.V.

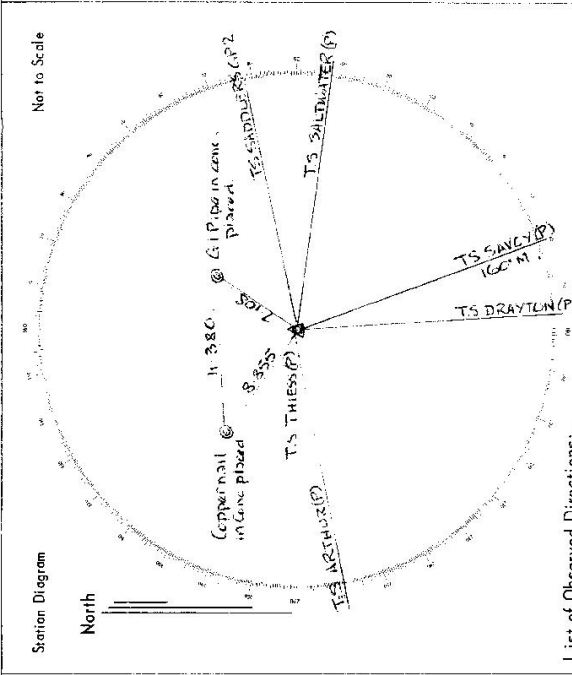
Checked:

STATION TS 107 THIES (P) TS 10790

Owners Name: Drayton College
Current Occupant: Drayton College

Address:
Address:

Access: See MUSWELLBURN 125000 map 18-2-1982
Contact Mr Robert Steacy - College Surveyor
at Drayton College for access



List of Observed Directions:-

Station: Pillar		Standpoint: Copper nail	
Station	Direction	Station	Direction
TS SAGEY (P)	160° 03' 00"	TS THIES (P)	0° 00' 00"
TS DRAYTON (P)	176° 03' 00"	G.I. Pipe	321° 46' 00"
TS ARTHUR (P)	283° 04' 22"		
Copper nail	305° 34' 03"		
G.I. Pipe	341° 12' 28"		

Station		Station	
Station	Direction	Station	Direction
TS SAGEY (P)	78° 36' 14"		
TS SALTWATER	108° 08' 00"		