

NOT GEODETIC
STATION FRANKFIELD P. 10773

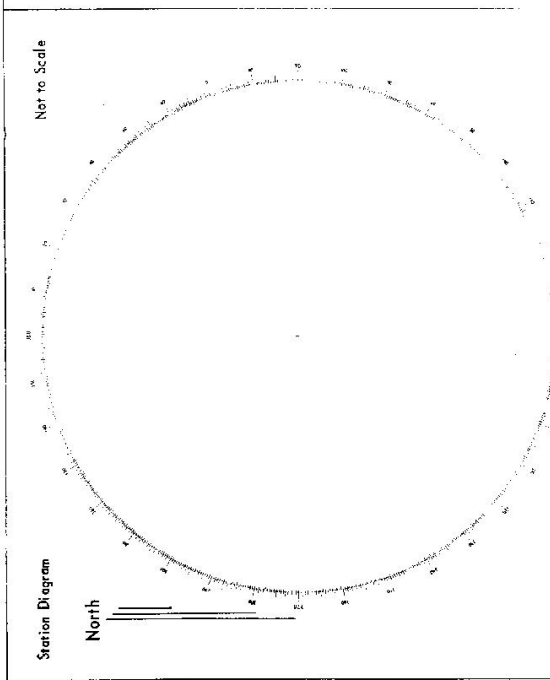
Owners Name..... WALMSLEY..... OWNER

Address..... Frankfield

Current Occupant..... CULLARIN

Access 20-2-1980

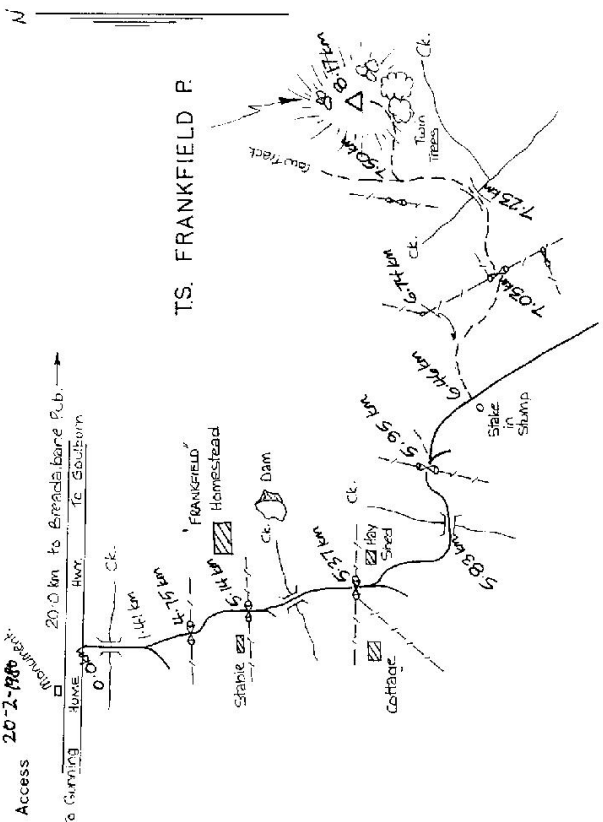
20.0 km to Brindabara Pub. →
 To Gunning Runway to Goulburn



List of Observed Directions:—

Standpoint: Frankfield Pillar.

Station	Direction	Station	Direction
Merriyang Pillar	0° 00' 00"		
Ga. Pillar	123° 30' 52.5"		
S/S. Pillar	191° 35' 00"		



Department of Lands

RECONNAISSANCE and MAINTENANCE REPORT

STATION TS 10773 FRANKFIELD (P)

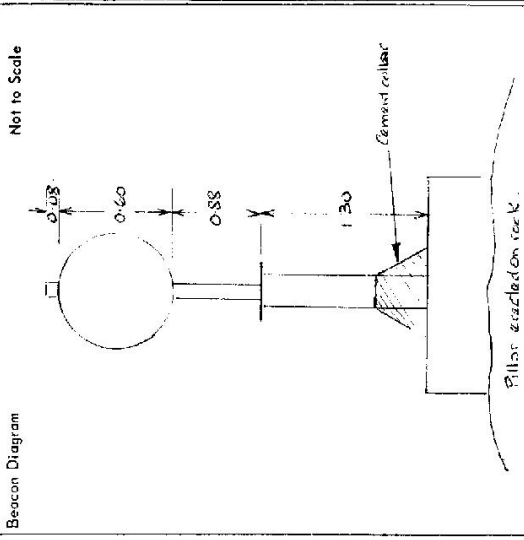
This Trig. Station has been:-

Note: Cross out word or words which do not apply

1. Completely cleared to permit 360° vision to surrounding Trigs. ✓
2. Cleared by ~~James bearing~~ from Trig. Mast
3. Trig. Mast & Vanes have been painted white & black respectively ✓
4. The Trig. ~~was omitted/not omitted~~, dimensions now being: **NEW STATION**
 Description of mark: **Steel Pillar** should be explicit, e.g. Steel plug, Brass plug, Bolt, Concrete Pillar
 Height of mark: **1.30** m ^{above} ~~below~~ rock/concrete **G.L.**
 Height of Top Vanes to ~~Top Mast~~ Top pillar plate: **1.45** m Diameter of Vanes (vertical): **0.60** m.
 Height of Centre: **1.45** m. Diameter of Centre: **0.60** m.
 Length of Mast: **1.30** m. (approximate if not supplied)
5. A **Steel Pin** set in conc./~~rock~~ has been placed at **2.813** m. bearing **75**°M from Trig. ~~Mast~~/pillar
6. A ~~Copper Spike~~ set in conc./~~soil~~ has been placed at **3.198** m. bearing **11**°M from Trig. ~~Mast~~/pillar
7. A ~~set in conc./soil~~ has been placed at **3.378** m. bearing **320**°M from Trig. ~~Mast~~/pillar
8. A ~~set in conc./rock~~ has been placed at **3.378** m. bearing **320**°M from Trig. ~~Mast~~/pillar
9. Connection **Steel Pin to Copper Spike** **3.378** m. bearing **320**°M
10. Connection ~~to~~ **to** ~~to~~ m. bearing **?**M
11. Connection ~~to~~ **to** ~~to~~ m. bearing **?**M
12. Connection ~~to~~ **to** ~~to~~ m. bearing **?**M
13. Diff. Ht. **Steel pin** is **1.634** m. ^{above} ~~below~~ Pillar plate
14. Diff. Ht. **Copper spike** is **1.528** m. ^{above} ~~below~~ Pillar plate
15. Diff. Ht. **is** **1.5** m. ^{above} ~~below~~
16. Diff. Ht. **is** **1.5** m. ^{above} ~~below~~

Prepared by: **H. J. Grezern** Checked: **(Signature)**

Co: KING
 Map Sheet: GUNNING: 152000
 Inspected by: H. J. Grezern
 Authority: **TS 10773**
 No: 8728 - 11411
 Date: 20-2-80
 Field Book: **TS 10773**



Date	20-2-80
Record of Station	Pillar erected on rock
	Pillar erected

Department of Lands

Integrative survey of N.S.W.
RECONNAISSANCE and MAINTENANCE REPORT

STATION TS 10773 FRANKFIELD (P)

Co: KING, Ph: COLLARIN
Map Sheet: GUNNING, 1:50000 No: 8728 - II 4 III
Inspected by: H.J. Greener Date: 20-2-80
Authority: INTEGRATION SYSTEMS Field Book: 4518/2

This Trig. Station has been: Note: Cross out word or words which do not apply

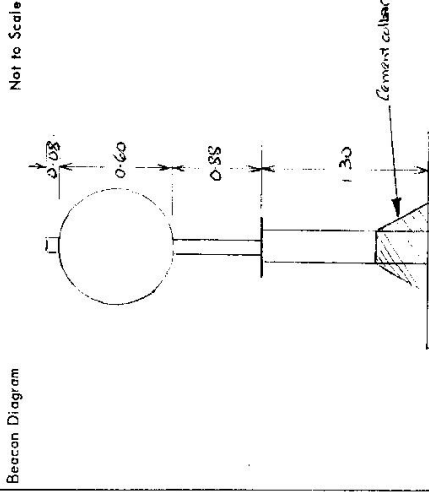
1. Completely cleared to permit 360° vision to surrounding Trigs. ✓
2. Cleared by ~~James bearing~~ from Trig. Mast
3. Trig. Mast & Vanes have been painted white & black respectively.
4. The Trig. ~~was unplaced/not supplied~~, dimensions now being: NEW STATION.

Description of mark: Steel Pillar should be explicit, e.g. Steel plug, Brass plug, Bolt, Concrete Pillar
Height of mark: 3.0 m ^{above}/_{below} rock/concrete 0.0 m ^{above}/_{below} G.L.
Height of Top Vanes to ~~Top Mast~~ Top pillar plate: 1.48 m Diameter of Vanes (vertical): 60 m.
Height of Centre: m Diameter of Centre: m.
Length of Mast: m (approximate if not supplied)

5. A ~~Steel pin~~ set in conc/rock has been placed at 2.813 m. bearing 73 °M from Trig. ~~Mast~~ pillar
6. A ~~Copper spike~~ set in conc/~~soil~~ has been placed at 3.158 m. bearing 11 °M from Trig. ~~Mast~~ pillar
7. A set in conc/soil has been placed at m. bearing °M from Trig. Mast pillar
8. A set in conc/rock has been placed at m. bearing °M from Trig. Mast pillar

9. Connection Steel pin to Copper spike 3.378 m. bearing 320 °M
10. Connection to m. bearing °M
11. Connection to m. bearing °M
12. Connection to m. bearing °M
13. Diff. Ht. Steel pin is 1.634 m. ^{above}/_{below} Pillar plate
14. Diff. Ht. Copper spike is 1.528 m. ^{above}/_{below} Pillar plate
15. Diff. Ht. is m. ^{above}/_{below}
16. Diff. Ht. is m. ^{above}/_{below}

Prepared by: H.J. Greener Checked:



Beacon Diagram

Not to Scale

Date	Record of Station
20-2-80	Pillar erected

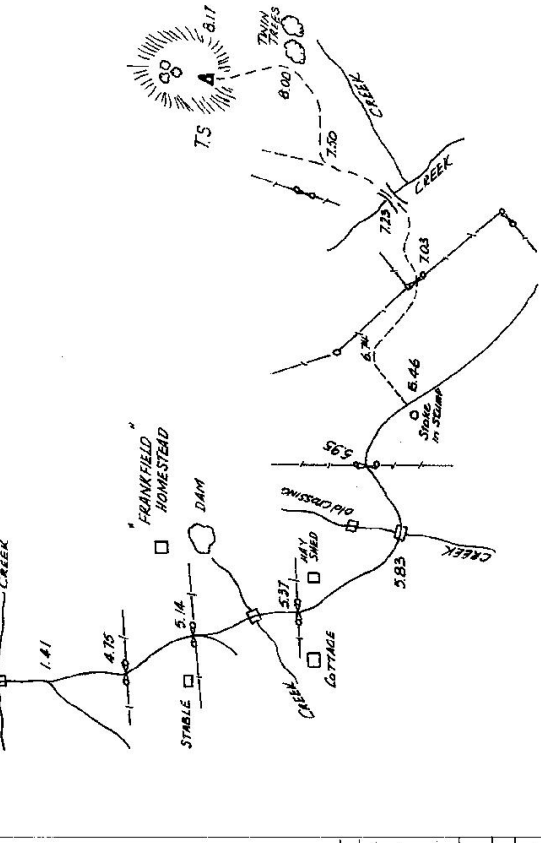
STATION TS 10773 FRANKFIELD(T)

Owners Name: Current Occupant:

Address: Frankfield " Address:

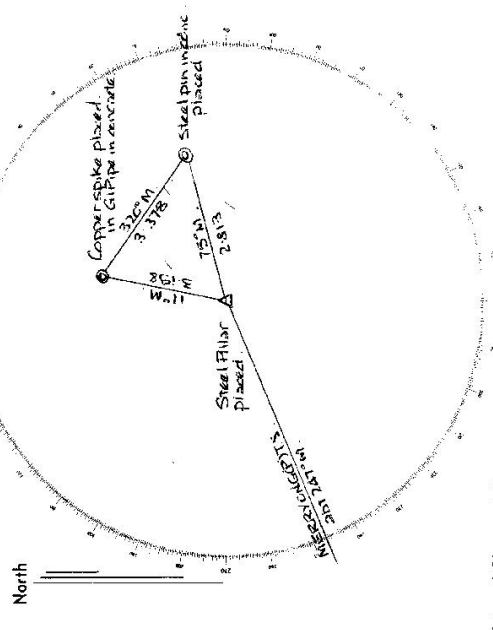
HOME HIGHWAY

Access 20-2-1980
 PLUMBE HIGHWAY
 DOWN TO BRENDALBAINE HOTEL
 ANNEX
 COLLEBURN CREEK



D. West, Government Printer, New South Wales - 1976

Station Diagram Not to Scale



List of Observed Directions:-
 DMS by T1 2 printings only

Standpoint: Pillar		Standpoint:	
Station	Direction	Station	Direction
MERRONG (T) TS	337° 53' 40"		
Copper Spike	123° 30' 50"		
Steel Pin	141° 33' 10"		
Station	Direction	Station	Direction