

75-103

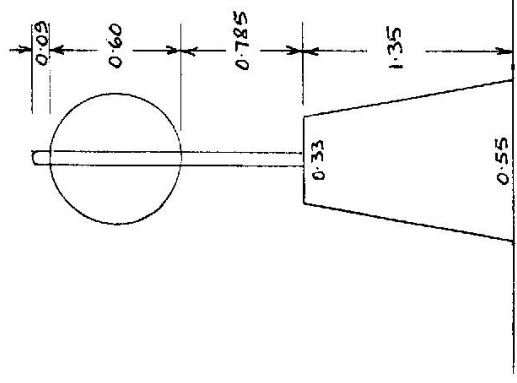
Department of Lands  
 Integration of N.S.W.  
 RECONNAISSANCE and MAINTENANCE REPORT

STATION TS 10764 LODGERS (P)

This Trig. Station has been:-  
 Note: Cross out word or words which do not apply

1. Completely cleared to permit 360° vision to surrounding Trigs.  
 2. Cleared by James-bearing  
 3. Trig. Mast & Vanes have been painted white & black respectively.  
 4. The Trig. was unpiled/not unpiled, dimensions now being: NEW STATION

Co: NORTHUMBERLAND Ph: VERE  
 Map Sheet: BULGA 1: 25000 No: S132-IV-S.  
 Inspected by: T. DUFFY Date: 21-10-81  
 Authority SURVEY CONTROL BRANCH Field Book: 1717/13  
 Beacon Diagram Not to Scale



Description of mark... Concrete Pillar should be explicit, e.g. Steel plug, Brass plug, Bolt, Concrete Pillar  
 Height of mark... 1.35 m above rock/concrete ... 1.35 m above G.L.  
 Height of Top Vanes to Top Mark/Top pillar plate ... 385 m Diameter of Vanes (vertical) 0.60 m.  
 Height of Cairn ... m Diameter of Cairn ... m.  
 Length of Mast ... m (approximate if not unpiled)

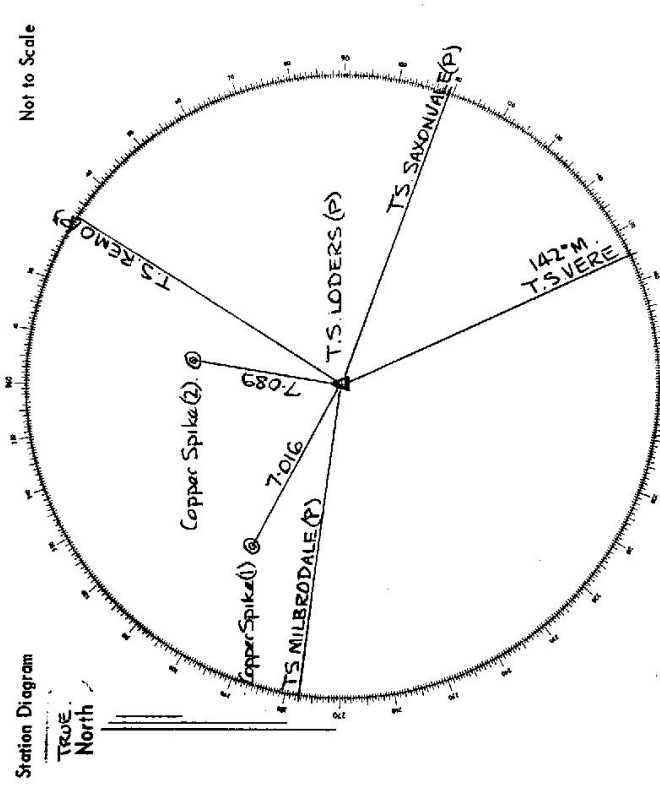
Date	Record of Station
10/81	Station erected by <u>Saxenvale Gallery</u>

5. Copper Spike (1) set in conc/rock has been placed 44.7.016 m. bearing 285 1/2 °M from Trig. Mast/pillar
6. Copper Spike (2) set in conc/soil has been placed 44.7.080 m. bearing 357 °M from Trig. Mast/pillar
7. A. set in conc/soil has been placed fd m. bearing °M from Trig. Mast/pillar
8. A. set in conc/rock has been placed fd m. bearing °M from Trig. Mast/pillar
9. Connection. to ... m. bearing °M
10. Connection. to ... m. bearing °M
11. Connection. to ... m. bearing °M
12. Connection. to ... m. bearing °M
13. Diff. Ht. Copper Spike (1) is 1.588 m. above Pillar Plate
14. Diff. Ht. Copper Spike (2) is 1.418 m. above Pillar Plate
15. Diff. Ht. is ... m. above
16. Diff. Ht. is ... m. below

Prepared by: D. VINCENT Checked: SD

**STATION TS 10764 LODERS (P)**

Owners Name... SAXONVALE COLLIERY. Current Occupant.....  
 Address... Rampier Mining Co. Ltd. Address.....  
 P.O. Box 433... Singleton... 2330.  
 Access See BULGA 1:25000 21-10-1981  
 Contact Mine Manager of Saxonvale Colliery for permission & access.  
 N.B. Hard Hats must be worn at all times in Colliery Area.



List of Observed Directions:-  
 Standpoint: Concrete Pillar  
 Details from Adjustment 82-006.

Station	Direction	Station	Direction
T.S. VERE	154° 52' 39.4"	T.S. SAXONVALE (P)	
T.S. MILBRODALE (P)	277° 08' 21.0"	T.S. REMO (P)	
Copper Spike (1)	297° 55' 40"		
Copper Spike (2)	9° 17' 50"		
T.S. REMO (P)	32° 24' 09.3"		
↓			
T.S. SAXONVALE (P)	109° 25' 02.4"		