

75-10-2

Department of Lands
 Integrated Survey of N.S.W.
 RECONNAISSANCE and MAINTENANCE REPORT

STATION TS 10763 WOLLUMBI (8)

Co: NGAATHUMBAH
 Ph: WOLLUMBI

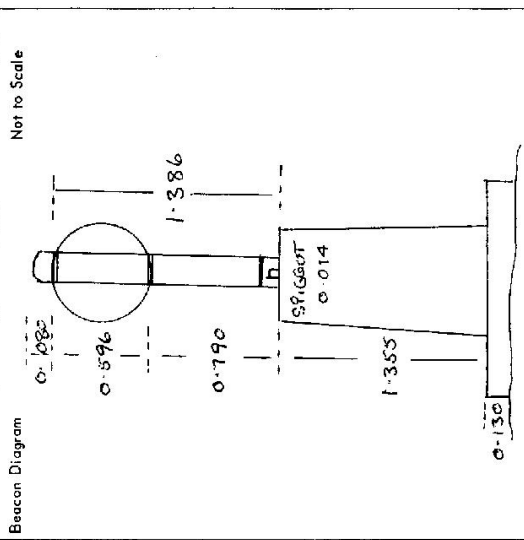
Map Sheet: 81/100 1:25000 No: 912-1V-S

Inspected by: W. M. GILLIVRAY Date: 29-9-81

Authority: I. S. B. Field Book:

This Trig. Station has been: Note: Cross out word or words which do not apply

1. Completely cleared to permit 360° vision to surrounding Trigs.
2. Cleared by lones bearing..... from Trig. Mast
3. Trig. Mast & Vanes have been painted white & black respectively. ✓
4. The Trig. was unpiled/not unpiled, dimensions now being:
 Description of mark..... 2/3..... pillar..... 84.15..... should be explicit, e.g. Steel plug, Brass plug, Bolt, Concrete Pillar
 Height of mark..... 1.355..... m..... ^{above} ~~below~~..... concrete slab..... 1.435..... m..... ^{above} G.L.
 Height of Top Vanes to Top Mark/Top pillar plate..... 1.386..... m..... Diameter of Vanes (vertical)..... 0.596..... m.
 Height of Cairn..... m..... Diameter of Cairn..... m.
5. Length of Mast..... 1.466..... m. (approximate if not unpiled)
6. A ~~steel~~ ~~rod~~ set in conc/rock has been placed/44..... 4.04m. bearing..... 2.1.8..... °M from Trig-Mast/pillar
7. A ~~rod~~ set in conc/soil has been placed/44..... 4.220m. bearing..... 1.03..... °M from Trig-Mast/pillar
8. A..... set in conc/soil has been placed/44..... m. bearing..... °M from Trig. Mast/pillar
9. A..... set in conc/rock has been placed/44..... m. bearing..... °M from Trig. Mast/pillar
9. Connection..... 6.13..... to..... 6.18..... bearing..... 6.350..... bearing..... 7.4..... °M
10. Connection..... to..... m. bearing..... °M
11. Connection..... to..... m. bearing..... °M
12. Connection..... to..... m. bearing..... °M
13. Diff. Ht. is..... m. ^{above} ~~below~~
14. Diff. Ht. is..... m. ^{above} ~~below~~
15. Diff. Ht. is..... m. ^{above} ~~below~~
16. Diff. Ht. is..... m. ^{above} ~~below~~



Date	Record of Station
29.9.81	CONCRETE PILLAR

Prepared by: W. M. GILLIVRAY Checked:

