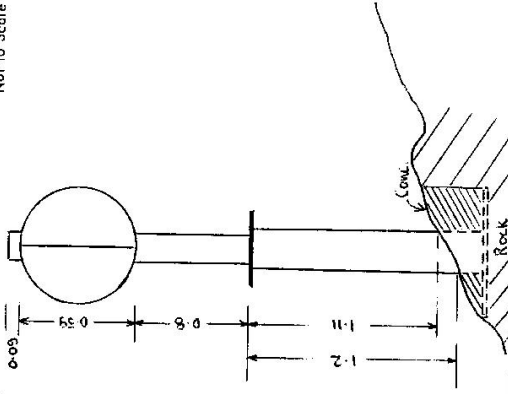


Department of Lands
 Reconnaissance and Maintenance Report
 10752
 Integrat. Survey of N.S.W.

STATION TS BONNIE VALLE (P) 10752
 Co: Cook Ph: Stratford
 Map Sheet: SPRINGWOOD No: 9030-N-S
 Inspected by: R. HAMMILL Date: 23.1.1981
 Authority: INTEGRATION SURVEYS BRANCH Field Book: FDP 1794/1

Beacon Diagram
 Not to Scale



Date: 23-1-81
 Record of Station: R. Hammill
 Pillar Erected: R. Hammill

Note: Cross out word or words which do not apply

- This Trig. Station has been:-
1. ~~Completely cleared to permit 360° vision to surrounding terrain~~
 2. Cleared by lances bearing 50° - 150° M from Trig. Mast
 3. Trig. Mast & Vanes have been painted white & black respectively.
 4. The Trig. ~~was applied/not applied~~, dimensions now being: NEW STATION
 Description of mark: Metal stand Pillar should be explicit, e.g. Steel plug, Brass plug, Bolt, Concrete Pillar
 Height of mark: 1.7 m above rock/concrete 1.7 m above G.L.
 Height of Top Vanes to Top Mark/Top pillar plate: 1.39 m Diameter of Vanes (vertical): 0.69 m.
 Height of Cairn: m. Diameter of Cairn: m.

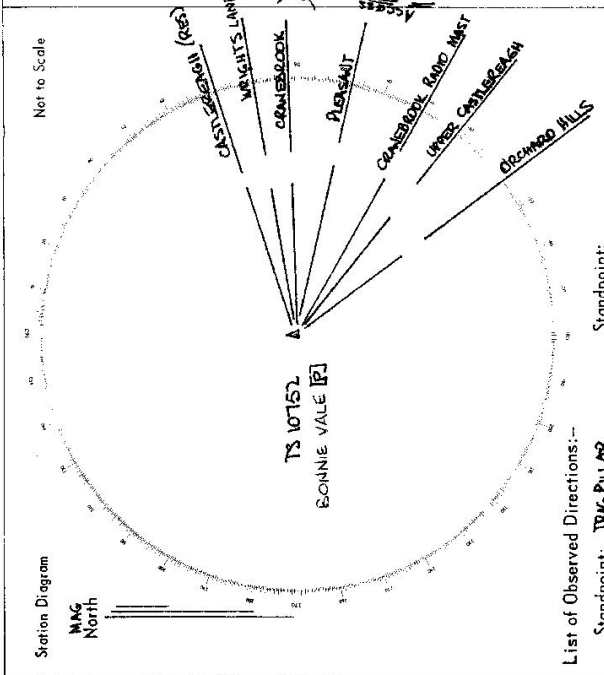
- Length of Mast: m. (approximate if not applied)
5. ~~A set in conc/rock has been placed/d~~ m. bearing ~~from Trig. Mast/pillar~~
 6. A set in conc/soil has been placed/d m. bearing ~~from Trig. Mast/pillar~~
 7. A set in conc/soil has been placed/d m. bearing ~~from Trig. Mast/pillar~~
 8. A set in conc/rock has been placed/d m. bearing ~~from Trig. Mast/pillar~~
 9. Connection to m. bearing ~~from Trig. Mast/pillar~~
 10. Connection to m. bearing ~~from Trig. Mast/pillar~~
 11. Connection to m. bearing ~~from Trig. Mast/pillar~~
 12. Connection to m. bearing ~~from Trig. Mast/pillar~~
 13. Diff. Ht. is m. ^{above}/_{below}
 14. Diff. Ht. is m. ^{above}/_{below}
 15. Diff. Ht. is m. ^{above}/_{below}
 16. Diff. Ht. is m. ^{above}/_{below}

Prepared by: R. Hammill 15.10.81 Checked:

STATION TS 10752 BONNIE VALE (P)

Current Occupant: N/A
Address: N/A

Owners Name: N/A
Address: N/A



List of Observed Directions:-

Standpoint: TOLU PILLAR		Standpoint:	
Station	Direction	Station	Direction
CASTLEBROOK (RES)	71 23 36	UPPER CASTLEBROOK (P)	178 14 01
MORRIS LANE (P)	80 51 30	ORCHARD HILLS (P)	113 09 45
CRANEBOOK (P)	88 11 37		
PLEASANT (P)	107 16 11		
CRANEBOOK RADIO MAST	119 48 43		
Station	Direction	Station	Direction