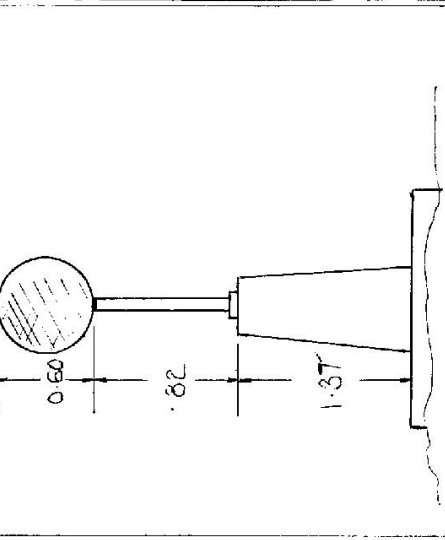


Department of Lands  
 Integral Survey of N.S.W.  
 RECONNAISSANCE and MAINTENANCE REPORT

STATION TS 10723 LINDALE (P)  
 Co: CAMDEN  
 P/I: WILTON  
 Map Sheet: WILTON  
 No: 8009-IV-3  
 Inspected by: J Kwasniewica  
 Date: 28-5-80  
 Authority: INTER-DEPARTMENTAL SURVEYS  
 Field Book: 1202/1/3

Beacon Diagram:  Not to Scale



Date	Record of Station
17/1/80	Concrete Pillar Erected.

This Trig. Station has been:-  
 Note: Cross out word or words which do not apply

1. Completely cleared to permit 360° vision to surrounding Trigs. ✓
2. ~~Cleared by lanes-bearing~~
3. Trig. Mast & Vanes have been painted white & black respectively. ✓
4. ~~The Trig. was supplied with supplied dimensions now being-~~

Description of mark: CONCRETE PILLAR should be explicit, e.g. Steel plug, Brass plug, Bolt, Concrete Pillar  
 Height of mark: 1.37 m above ~~rock~~/concrete 1.37 m above G.L.  
 Height of Top Vanes to Top Mark/Top pillar plate: 1.42 m Diameter of Vanes (vertical): 0.6 m.  
 Height of Centre: m. Diameter of Centre: m.

Length of Mast: 1.005 m. ~~(approximate if not supplied)~~  
 5. A 35M 31350 set in conc/rock has been placed/46 227 m bearing 310°M from Trig. Mast/pillar  
 6. A CONCRETE PILLAR set in conc/soil has been placed/46 5351 m bearing 16°M from Trig. Mast/pillar  
 7. A set in conc/soil has been placed/46 m bearing °M from Trig. Mast/pillar  
 8. A set in conc/rock has been placed/46 m bearing °M from Trig. Mast/pillar

9. Connection: to: m. bearing: °M
10. Connection: to: m. bearing: °M
11. Connection: to: m. bearing: °M
12. Connection: to: m. bearing: °M
13. Diff. Ht. is m. above/below
14. Diff. Ht. is m. above/below
15. Diff. Ht. is m. above/below
16. Diff. Ht. is m. above/below

Prepared by: W. H. S. S. Checked: W. H. S. S.

STATION TS 10723 LINDALE (P)

Owners Name: MR. HAROLD MATHIE

Current Occupant:

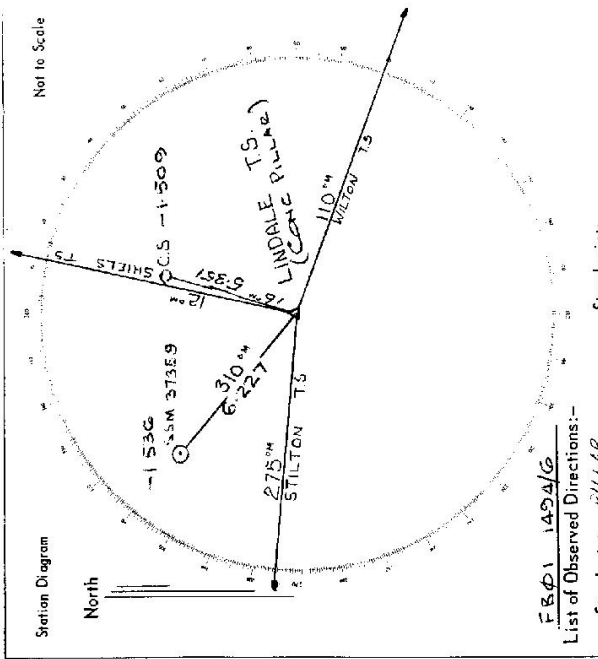
Address: "Lindale"

Address:

Phone: 771395

Access: 28-5-1980 CONVENTIONAL VEHICLE

00 ACTON RD HEAD SOUTH ALONG MENANGLE RD  
 100 TURN RIGHT ONTO SEALED ROAD (In Name)  
 130 TURN RIGHT AT GATE. PASS THROUGH 2nd VEEB RIGHT THROUGH WIRE GATE. MAKE WAY UP TRACK & ARRIVE TO TOP OF RIDGE TO HILLAR APPROXIMATELY 0.5 KM.



F.B. 01 1454/G

List of Observed Directions:-

Standpoint: HILLAR

Station	Direction	Station	Direction
TS SHIELDS (P)	11 00 00		
CORNER SPRING IN GATE	17 27 53		
TS WILTON (P)	112 20 59		
TS STILTON (P)	213 00 38		
SPM 37559	308 45 50		
Station	Direction	Station	Direction