

7-10-09

Department of Lands Integral Survey of N.S.W.
RECONNAISSANCE and MAINTENANCE REPORT

This Trig. Station has been:- Note: Cross out word or words which do not apply

1. ~~Completely cleared to permit 360° vision to surrounding trig.~~
2. Cleared by lanes bearing 188° from Trig. Mast
3. Trig. Mast & Vanes have been painted white & black respectively. ✓
4. ~~The Trig. was unplied/not unplied, dimensions now being~~

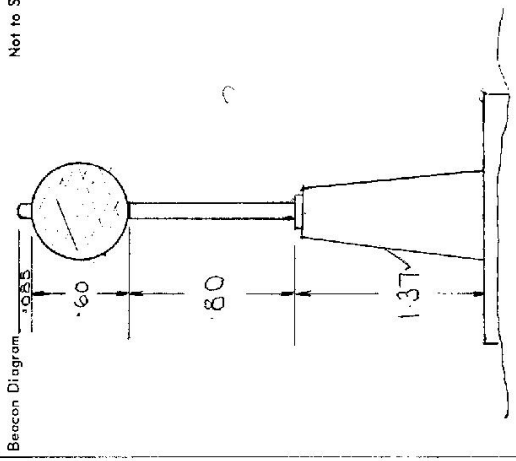
Description of mark CONCRETE PILLAR should be explicit, e.g. Steel plug, Brass plug, Ball, Concrete Pillar
 Height of mark 1.37 m above rock, concrete 1.37 m above G.L.

Height of Top Vanes to Top Mast/Top pillar plate 1.40 m Diameter of Vanes (vertical) 0.8 m.
 Height of Cairn 0.85 m. Diameter of Cairn 0.85 m.
 Length of Mast 1.85 m. (approximate if not unplied)

5. A 30x30x30 set in conc/rock has been placed 4.8 m. bearing 148°M from Trig. Mast/pillar
6. A 30x30x30 set in conc/soil has been placed 4.8 m. bearing 225°M from Trig. Mast/pillar
7. A 30x30x30 set in conc/soil has been placed 4.8 m. bearing 0°M from Trig. Mast/pillar
8. A 30x30x30 set in conc/rock has been placed 4.8 m. bearing 0°M from Trig. Mast/pillar
9. Connection to to m. bearing 0°M
10. Connection to to m. bearing 0°M
11. Connection to to m. bearing 0°M
12. Connection to to m. bearing 0°M
13. Diff. Ht. is is m. ^{above}/_{below}
14. Diff. Ht. is is m. ^{above}/_{below}
15. Diff. Ht. is is m. ^{above}/_{below}
16. Diff. Ht. is is m. ^{above}/_{below}

Prepared by: W. H. H. H. H. Checked: W. H. H. H. H.

STATION NO: 10706 STATION (P)
 CO: CAMPDEN PH: COURIDJAH
 Map Sheet: P1024 No: 9625-N-5
 Inspected by: J. FLETCHER Date: 28.5.20
 Authority: INTEGRATION SURVEYS Field Book: VZTS/5



Beacon Diagram 0.85 0.8 1.37 Not to Scale

Date	Record of Station
<u>28.5.20</u>	<u>ALL STATION ESTABLISHED</u>

STATIONS 10706 STILTON (P)

Current Occupant.....

Address.....

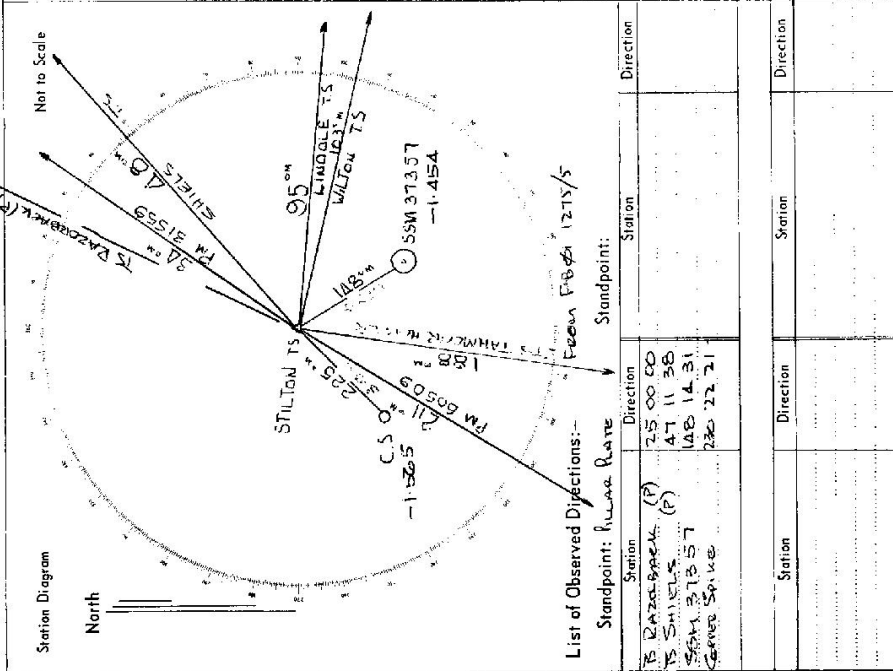
Owners Name: MR. KENT

Address: STILTON ROAD

PICTON
28-5-1980

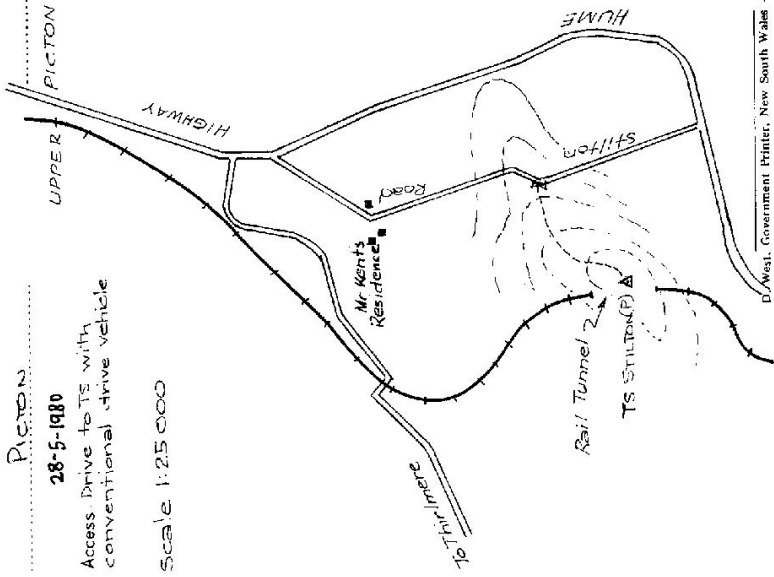
Access Drive to TS with conventional drive vehicle

Scale 1:25 000



List of Observed Directions:-

Station	Direction	Station	Direction
TS BAZZORANK (P)	25 00 00		
TS SHIELDS (P)	47 11 38		
STATION 373.57	148 14 31		
Service Splice	220 22 21		



D. West, Government Printer, New South Wales - 1976