

Department of Lands
 STATION TS 10691 TRALEE [P]

Integrati survey of N.S.W.
 RECONNAISSANCE and MAINTENANCE REPORT

Co: PHILLIP Ph: COGGAN
 Map Sheet: GULGONG No: 8833
 Inspected by: P. McBERTH Date: 16.10.79
 Authority: ISB N.C.L.E. Field Book: 1430 PDP

This Trig. Station has been:-
 Note: Cross out word or words which do not apply

1. Completely cleared to permit 360° vision to surrounding Trigs. ✓
2. Cleared by James-bearing ✓ from Trig. Mast
3. Trig. Mast & Vanes have been painted white & black respectively. ✓
4. The Trig. was unpiled/~~not unpiled~~, dimensions now being:

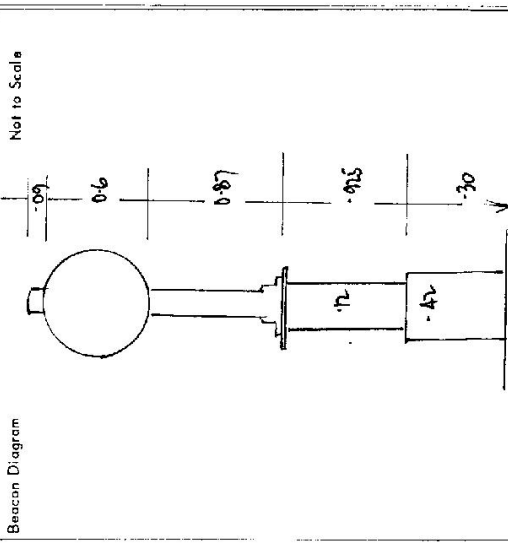
Description of mark steel pillar should be explicit, e.g. Steel plug, Brass plug, Bolt, Concrete Pillar
 Height of mark 1.25 m above rock/concrete 1.25 m above G.L.
 Height of Top Vanes to Top Mark/Top pillar plate 1.47 m Diameter of Vanes (vertical) 0.60 m.
 Height of Cairn 1.225 m. Diameter of Cairn 12 x 42 m.
 Length of Mast 1.56 m. (approximate if not unpiled)

5. A Copper Spik set in conc/~~rock~~ has been placed 4 3.772 m. bearing... 41 °M from Trig. Mast/pillar
6. A S.S. Pin set in conc/~~soil~~ has been placed 4 3.120 m. bearing... 85 °M from Trig. Mast/pillar
7. A set in conc/soil has been placed fd 0 m. bearing... °M from Trig. Mast/pillar
8. A set in conc/rock has been placed fd 0 m. bearing... °M from Trig. Mast/pillar

9. Connection Copp Spk to S.S. Pin : 2.657 m. bearing 166 °M
10. Connection to : m. bearing °M
11. Connection to : m. bearing °M
12. Connection to : m. bearing °M

13. Diff. Ht. Pillar Plate is 1.342 m. above Copper Spike
14. Diff. Ht. Pillar Plate is 1.290 m. above S.S. Pin
15. Diff. Ht. S.S. Pin is 0.053 m. above Copper Spike
16. Diff. Ht. is m. above

Prepared by: coll Checked: P. Johnson



Date	Record of Station
16/10/79	Station Erected

STATION TS10691 TRALEE [P]

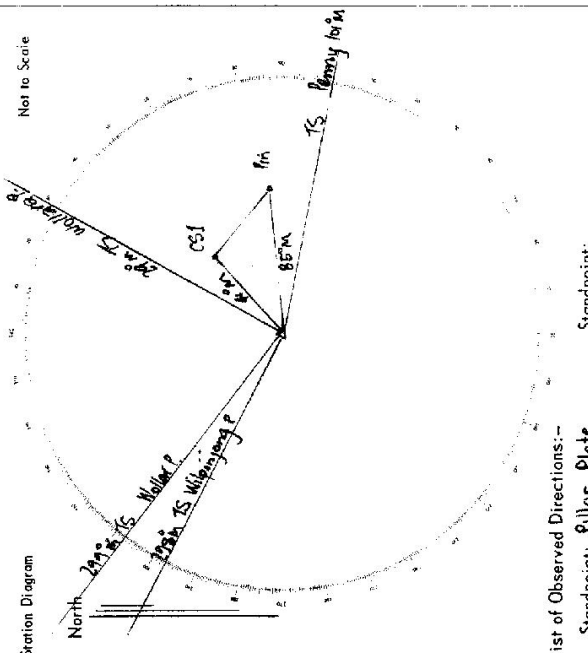
Owners Name: T. RILEY

Current Occupant:

Address: TRALEE

Via Wollara

Access 16-10-1979
 0-0. Bylong P.O. take Denham Rd.
 0-45 Pass upper Bylong Rd on R.H.S.
 7-45 Turn left Sign 'Mudgee T1'
 15-5 Grid.
 17-06 Pass road to Merrivale on R.H.S.
 24-0 Right through wire gate - follow along fence beside road with fence on R.H.S.
 24-35 Turn right onto track through fence.
 24-45 Stop.
 Walk up hill to trig
 (5 mins walk)



List of Observed Directions:-

Station		Standpoint:	Pillar Plate	
Station	Direction	Station	Direction	Direction
TS WOLLARA [P]	29° 00' 00"			
TS Penny	091° 28' 25"			
TS WILLYONG [P]	297° 58' 18"			
TS WOLLARA [P]	299° 32' 06"			

Station	Direction	Station	Direction

Conventional vehicle access.