

75-83

Department of Lands

Integrative Survey of N.S.W.

RECONNAISSANCE and MAINTENANCE REPORT

STATION TS 10688 NOLLARA [P]

This Trig. Station has been:-

Note: Cross out word or words which do not apply

1. Completely cleared to permit 360° vision to surrounding Trigs. ✓
2. Cleared by ~~lenses-bearing~~ from Trig. Mast
3. Trig. Mast & Vanes have been painted white & black respectively. ✓
4. The Trig. was unpiled/~~not-unpiled~~, dimensions now being:

Description of mark: ~~Concrete pillar~~ should be explicit, e.g. Steel plug, Brass plug, Bot. Concrete Pillar

Height of mark: ~~1.375~~ m above rock concrete G.L. 1.375 m above G.L.
 Height of Top Vanes to Top ~~mark~~ Top pillar plate: 1.47 m Diameter of Vanes (vertical): 0.6 m.
 Height of Cairn: 1.375 m. Diameter of Cairn: 33 x 55 m.
 Length of Mast: 1.56 m. (approximate if not unpiled)

5. A. ~~617~~ set in ~~conc.~~ has been placed ~~at~~ 4.800 m. bearing 227°M from Trig. ~~mark~~ pillar
6. A. ~~651~~ set in ~~conc/soil~~ has been placed ~~at~~ 3.253 m. bearing 103°M from Trig. ~~mark~~ pillar
7. A. set in ~~conc/soil~~ has been placed ~~at~~ m. bearing °M from Trig. Mast/pillar
8. A. set in ~~conc/rock~~ has been placed ~~at~~ m. bearing °M from Trig. Mast/pillar

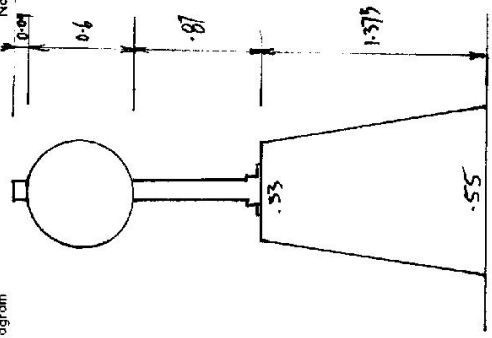
9. Connection ~~691~~ to ~~651~~: 7.174 m. bearing 69°M
10. Connection to m. bearing °M
11. Connection to m. bearing °M
12. Connection to m. bearing °M
13. Diff. Ht. ~~Pillar Plate~~ is: 1.350 m. above ~~691~~
14. Diff. Ht. ~~Pillar Plate~~ is: 1.760 m. above ~~651~~
15. Diff. Ht. ~~691~~ is: 0.409 m. above ~~651~~
16. Diff. Ht. is m. above

Prepared by: *[Signature]*

Checked: *[Signature]*

Co: PHILLIP
 Map Sheet: MT. MISERY
 Inspected by: P. Mc Diath
 Authority ISB NCLE
 Ph: COGGIN
 No: 5933
 Date: 15.10.79
 Field Book: 1321

Beacon Diagram

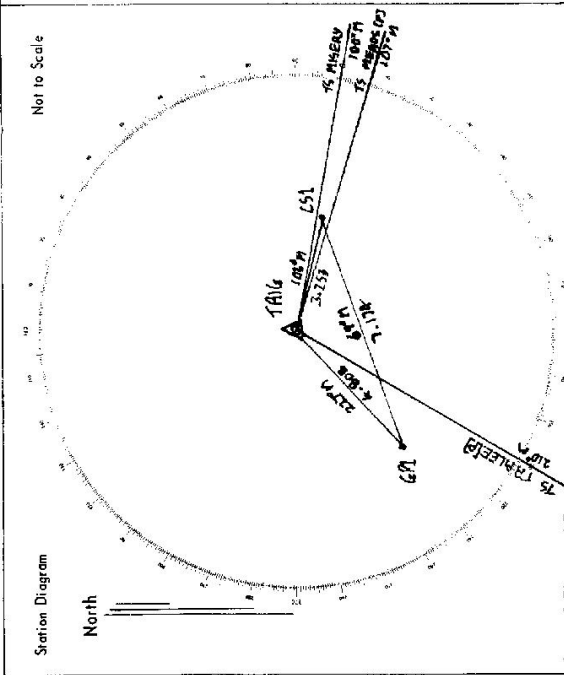


Date	Record of Station
Oct 79	Mark erected

STATION TS 10688 MOLLARA [P]

Owners Name... Mr. Woods
 Current Occupant... Mr. Woods
 Address... C/L Wollara
Via. Bylong

Access from Bylong P.O. 15-10-1979
 0.0. Bylong P.O. Take Dominion Road
 0.45 Pass upper Bylong Rd on RHS
 2.45 Turn left Agri Wadgee T7
 15.5 Grid.
 17.05 Turn right onto MERRING RD
 17.8 Left over Grid.
 18.25 Grid and House
 18.35 Veer left over Grid
 18.85 Veer right onto ridge
 19.2 Veer right near concrete tanks
 19.5 TRIG.



List of Observed Directions:-

Station	Direction	Station	Direction
TS MERRING RD	100° 20' 00"	TS MERRING RD	07° 00' 00"
TS WALLARRA	200° 43' 38.4"	TS WALLARRA	300° 30' 30"
TS TRIG	227° 48' 04.2"	TS TRIG	322° 46' 00"
TS MISERY	100° 20' 56.6"		
TS LSI	103° 11' 20.3"		

Station	Direction	Station	Direction

Conventional vehicle access.