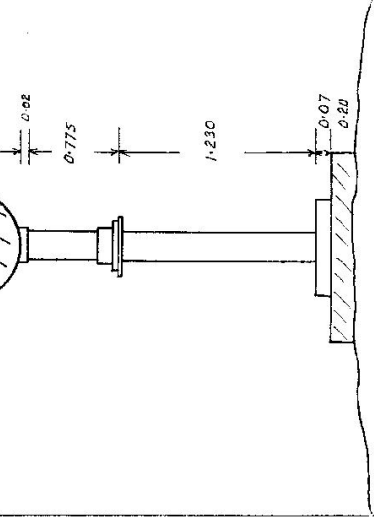


Department of Lands
 Integrat' Survey of N.S.W.
 RECONNAISSANCE and MAINTENANCE REPORT: C.37
 STATION I.S. GIRRAKOO (P) 10637

This Trig. Station has been:-
 Note: Cross out word or words which do not apply
 1. Completely cleared to permit 360° vision to surrounding Trigs.
 2. ~~Cleared by Jones-bearing~~ from Trig Mast
 3. Trig. Mast & Vanes have been painted white & black respectively.
 4. ~~The Trig. was unpainted/not unpainted, dimensions now being:-~~
 Description of mark Syn. 24" scale, Steel Pillar ~~should be replaced by Syn. 24" scale, Brass plate, Set by Concrete Pillar~~
 Height of mark 1.30 m ~~above~~ below concrete 1.50 m above G.L.
 Height of Top Vanes to ~~Top Mast~~ Top pillar plate 1.39.5 m Diameter of Vanes (vertical) 0.60 m.
 Height of ~~Coin~~ Coin 0.07 m Diameter of ~~Coin~~ Coin 0.07 m.
 Length of ~~Mast~~ Mast 1.230 m (approximate if not unplied)



Beacon Diagram

Date	Record of Station
4-4/70	Built by C.L.O. & occupied by the D.M.R.

5. A. 24" x 1/4" V. 581 set in conc/rock has been placed at 2.261 m. bearing 2.13° M from Trig. Mast pillar
6. A. 581. 3/4" V. 581 set in conc/rock has been placed at 5.881 m. bearing 2.43° M from Trig. Mast pillar
7. A. Brass. V. 581 set in conc/rock has been placed at 4.071 m. bearing 3.15° M from Trig. Mast pillar
8. A. set in conc/rock has been placed at m. bearing M from Trig. Mast pillar
9. Connection 581. 3/4" V. 581 to Brass. V. 581 4.085 m. bearing 2.58° M
10. Connection 581. 3/4" V. 581 to Brass. V. 581 5.044 m. bearing 3.40° M
11. Connection to m. bearing M
12. Connection to m. bearing M
13. Diff. Ht. 581. 3/4" V. 581 (D.M. V. 581) is 1.673 m. below Pillar plate
14. Diff. Ht. 581. 1/4" V. 581 is 1.776 m. below Pillar plate
15. Diff. Ht. Brass. V. 581 is 1.880 m. below Pillar plate
16. Diff. Ht. is m. above

Prepared by: _____
 Checked: _____

STATION T.S. CIRRAK00L10637

Current Occupant:

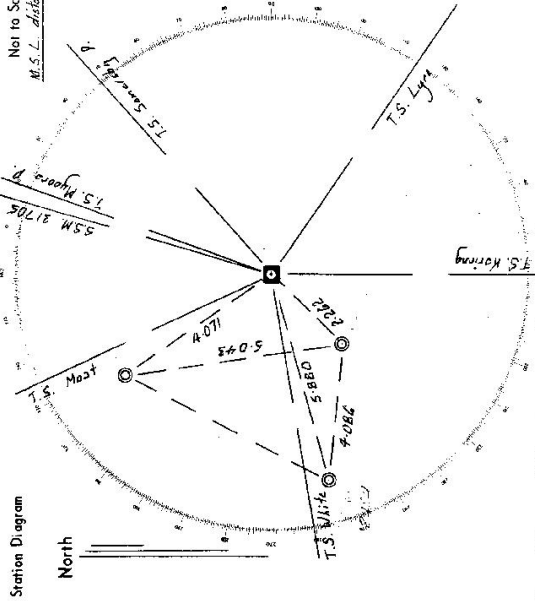
Owners Name:

Address:

Address:

Access:

Not to Scale
M.S.L. distances



List of Observed Directions:-

Standpoint: Riller		Station		Station	
Station	Direction	Station	Direction	Station	Direction
T.S. Maring	0° 00' 00"	T.S. Lyra	177° 38' 44"	T.S. Maring	0° 00' 00"
T.S. Simeashy	28° 05' 17"	T.S. Simeashy B.B.A.	207° 47' 06"	T.S. Simeashy B.B.A.	279° 19' 58"
T.S. Simeashy B.B.A.	205° 42' 18"	T.S. Simeashy B.B.A. 2007.47.06	207° 47' 06"	T.S. Simeashy B.B.A. 2007.47.06	207° 47' 06"
S.S.A. 31748	235° 51' 33"				
Ref. March S.S.M. 184484	235° 51' 33"				
Ref. March Piny in camp	307° 24' 45"				

