

75 193

Department of Lands Integral survey of N.S.W
RECONNAISSANCE and MAINTENANCE REPORT

This Trig. Station has been:- Note: Cross out word or words which do not apply

1. Completely cleared to permit 360° vision to surrounding Trigs. ✓
2. Cleared by lanes bearing..... from Trig. Mast ✓
3. Trig. Mast & Vanes have been painted white & black respectively. ✓
4. The Trig. was unpiled/not unpiled, dimensions now being:

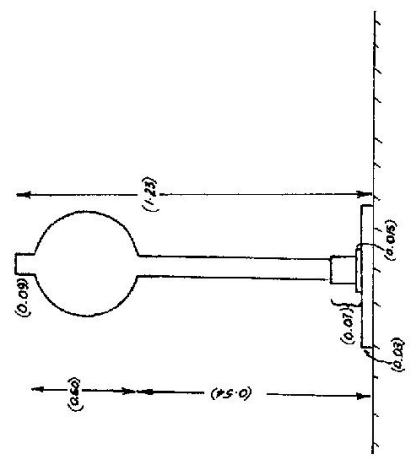
Description of mark... *Pillar. Plate on brick wall* should be explicit, e.g. Steel plug, Brass plug, Ball, Concrete Pillar
 Height of mark..... m ^{above} *Brick Wall* _{below} *rock-concrete* G.L.
 Height of Top Vanes to ~~Top Mast~~ Top pillar plate... *1.11* m Diameter of Vanes (vertical) *0.60* m.
 Height of Cairn..... m. Diameter of Cairn..... m.

- Length of Mast... *1.20* m. (approximate if not unpiled)
5. A..... set in conc/rock has been placed/fd m. bearing°M from Trig. Mast/pillar
 6. A..... set in conc/soil has been placed/fd m. bearing°M from Trig. Mast/pillar
 7. A..... set in conc/soil has been placed/fd m. bearing°M from Trig. Mast/pillar
 8. A..... set in conc/rock has been placed/fd m. bearing°M from Trig. Mast/pillar

9. Connection..... to..... m. bearing.....°M
10. Connection..... to..... m. bearing.....°M
11. Connection..... to..... m. bearing.....°M
12. Connection..... to..... m. bearing.....°M
13. Diff. Ht. is..... m. ^{above} _{below}
14. Diff. Ht. is..... m. ^{above} _{below}
15. Diff. Ht. is..... m. ^{above} _{below}
16. Diff. Ht. is..... m. ^{above} _{below}

Prepared by: *Julian Kwasnica* Checked: *J. K.*

STATION **ENFIELD (P) TS. (10619)**
 Co: **CLIMBERLAND** Pt: **LIBERTY PLAINS**
 Map Sheet: **REGENTS PARK 1:10000** No: **0045**
 Inspected by: **J. KWASNICA** Date: **14/12/78**
 Authority: **J.S.B** Field Book: **PD/P 125B**
 Beacon Diagram Not to Scale



Date	Record of Station
14/12/78	Observations completed.

