

7/5/10

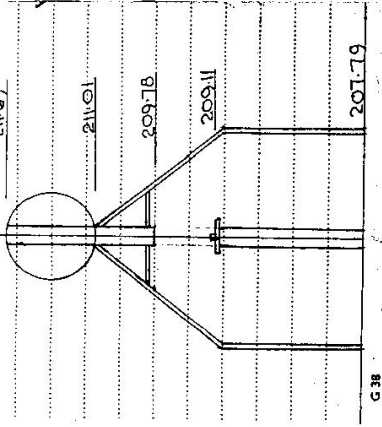
Department of Lands Integrative Survey of N.S.W.
RECONNAISSANCE and MAINTENANCE REPORT

STATION **HORNSBY RESERVE 0605**

Co: **cumberland** Ph: **ASQUITH**
 Map Sheet: **MT 601AH** No: **U 0967**
 Inspected by: _____ Date: _____
 Authority: **M.W.S & D.B.** Field Book: _____

Beacon Diagram Not to Scale

*Pyram. pillar. 1.0m dia. concrete.
 Above height of 1.0m
 Below height of 1.0m
 Conc. pillar. 1.0m dia. concrete.
 Height of 1.0m
 21.67*



Date	Record of Station

This Trig. Station has been:-
 Note: Cross out word or words which do not apply

1. Completely cleared to permit 360° vision to surrounding Trigs.
2. Cleared by lanes bearing from Trig. Mast
3. Trig. Mast & Vanes have been painted white & black respectively.
4. The Trig. was unpiled/not unpiled, dimensions now being:
 - Description of mark..... should be explicit, e.g. Steel plug, Brass plug, Bolt, Concrete Pillar
 - Height of mark..... m above rock/concrete m above G.L.
 - Height of Top Vanes to Top Mark/Top pillar plate m Diameter of Vanes (vertical)..... m.
 - Height of Cairn..... m. Diameter of Cairn m.
 - Length of Mast m. (approximate if not unpiled)

STATION To	R.L. (metres)	Direction or Vert. Angle		R.L. Top of Pillar	Dist. in metres at M.S.L.	Variance	Inst.	Observer	Date
		°	'						
Pyram. pillar	0	00	00	209.115	2564.880 MSK		6.8L	L. Jermolov	8-1-77
Hornsby Height Elev	82	30	49.4		3485.571 MSK		6.8L	L. Jermolov	8-1-77
Rock temple	181	09	53.8	0.20	#				
Conc. pillar	204	19	59.5	4.54					
Abandoned Elev	249	39	25.8		3450.948 MSK		6.8L	L. Jermolov	21-1-77
Pyram. Pillar	0	00	00						
P.M. 15724-A	37	01	57	0.19	109.242		H.R.	R. Jones	1977
Hornsby Hts. R.	82	30	51.2	4.54					

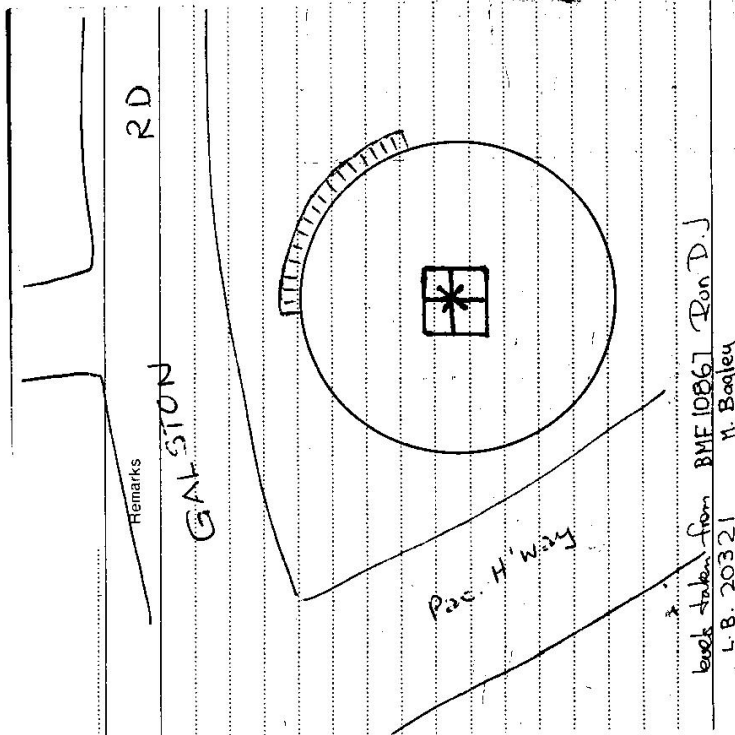
To: **Dist. Trig.** Checked: *[Signature]*

Prepared by: *[Signature]*

STATION: HORNSBY RES (P)10605

Owners Name
 Current Occupant.....
 Address.....
 Address.....

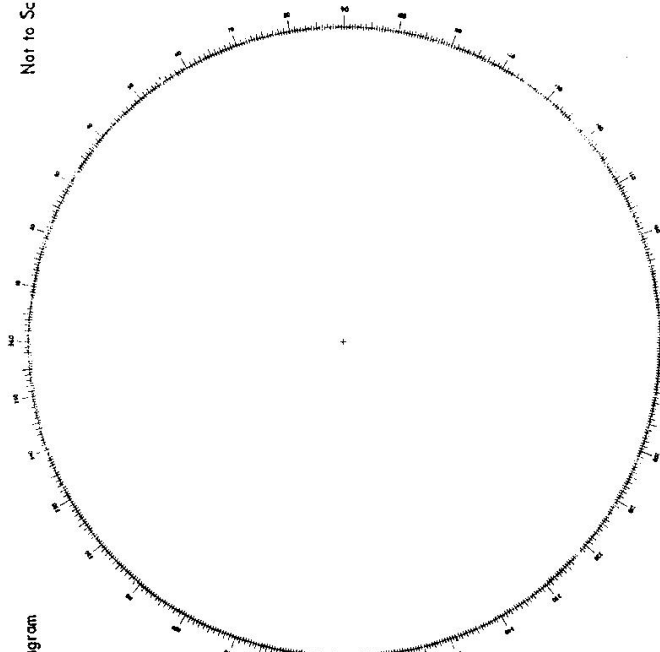
Access



Not to Scale

Station Diagram

North



List of Observed Directions:-

Standpoint:		Standpoint:	
Station	Direction	Station	Direction
Station	Direction	Station	Direction