

75-104

Department of Lands

Integration of N.S.W.

RECONNAISSANCE and MAINTENANCE REPORT

This Trig. Station has been:-

Note: Cross out words or words which do not apply

1. Completely cleared to permit 360° vision to surrounding Trigs.
2. Cleared by lanes bearing..... from Trig. Mast
3. Trig. Mast & Vanes have been painted white & black respectively.
4. The Trig. was unpiled/not unpiled, dimensions now being:
 - Description of mark..... **CONCRETE PILLAR**..... should be explicit, e.g. Steel plug, Brass plug, Bolt, Concrete Pillar
 - Height of mark..... **1.39**..... m ^{above} ~~below~~ concrete..... **1.39** m ^{above} ~~below~~ G.L.
 - Height of Top Vanes to ~~Top Mark~~ Top pillar plate..... **1.35** m Diameter of Vanes (vertical)..... **0.60** m.
 - Height of Cairn..... m. Diameter of Cairn..... m.
 - Length of Mast..... m. (approximate if not unpiled)
5. A..... set in conc/rock has been placed/fd..... m. bearing..... °M from Trig. Mast/pillar
6. A..... set in conc/soil has been placed/fd..... m. bearing..... °M from Trig. Mast/pillar
7. A..... set in conc/soil has been placed/fd..... m. bearing..... °M from Trig. Mast/pillar
8. A..... set in conc/rock has been placed/fd..... m. bearing..... °M from Trig. Mast/pillar
9. Connection..... to..... m. bearing..... °M
10. Connection..... to..... m. bearing..... °M
11. Connection..... to..... m. bearing..... °M
12. Connection..... to..... m. bearing..... °M
13. Diff. Ht. is..... m. ^{above} ~~below~~
14. Diff. Ht. is..... m. ^{above} ~~below~~
15. Diff. Ht. is..... m. ^{above} ~~below~~
16. Diff. Ht. is..... m. ^{above} ~~below~~

Prepared by: **L. G. TREVERROW.** Checked: *LT*

STATION **TS TENBEE (P10604)**

Co: **CUMBERLAND** Ph: **WEDDERBURN**

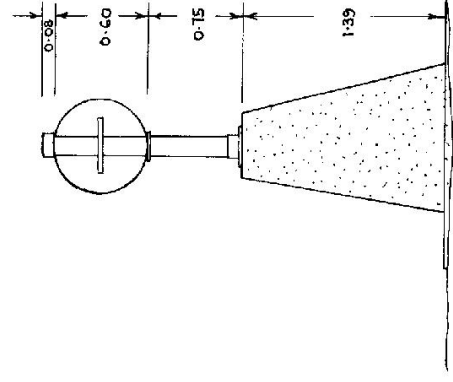
Map Sheet: **STOKES CREEK** No: **8207**

Inspected by: **L. G. TREVERROW** Date: **12-9-78**

Authority: **DEPARTMENT OF LANDS** Field Book: **PDP 1115**

Beacon Diagram

Net to Scale



Date

Record of Station

17-11-77 **Pillar erected by J. Green**

15-9-78 **Painting and signal erected L.G. Treverrow**

