

75-103

Department of Lands

Integration /ey of N.S.W.

RECONNAISSANCE and MAINTENANCE REPORT

STATION TS Cloverdale (P)10603

This Trig. Station has been:-

Note: Cross out word or words which do not apply

- 1. Completely cleared to permit 360° vision to surrounding Trigs. ✓
- 2. ~~Cleared by lines bearing~~
- 3. Trig. Mast & Vanes have been painted white & black respectively. ✓
- 4. The Trig. was unpiled/~~unpiled~~, dimensions now being:

Description of mark... Concrete Pillar ... should be explicit, e.g. Steel plug, Brass plug, Bolt, Concrete Pillar
 Height of mark... ~~1.37~~ ^{above} ~~1.37~~ _{below} ... m above below G.L.
 Height of Top Vanes to ~~Top~~ Top pillar plate 1.40 m Diameter of Vanes (vertical) 0.60 m.
 Height of Cairn 1.37 m. Diameter of Cairn 0.34 x 0.55 m.
 Length of Mast 1.49 m. (approximate if not unpiled)

- 5. SSM 16673 set in conc/rock has been placed/46.011 m. bearing 84 °M from Trig. Mast/pillar
- 6. 46088 set in conc/soil has been placed/5.125 m. bearing 172 °M from Trig. Mast/pillar
- 7. A..... set in conc/soil has been placed/..... m. bearing..... °M from Trig. Mast/pillar
- 8. A..... set in conc/rock has been placed/..... m. bearing..... °M from Trig. Mast/pillar

- 9. Connection SSM 16673 to CS 8.116 m. bearing 219 °M
- 10. Connection..... to..... : m. bearing..... °M
- 11. Connection..... to..... : m. bearing..... °M
- 12. Connection..... to..... : m. bearing..... °M
- 13. Diff. Ht. Pillar Plate is 1.460 m. ^{above} SSM 16673
- 14. Diff. Ht. Pillar Plate is 1.468 m. ^{above} CS
- 15. Diff. Ht. is..... m. ^{above} below
- 16. Diff. Ht. is..... m. ^{above} below

Prepared by CCawley

Checked: CCC

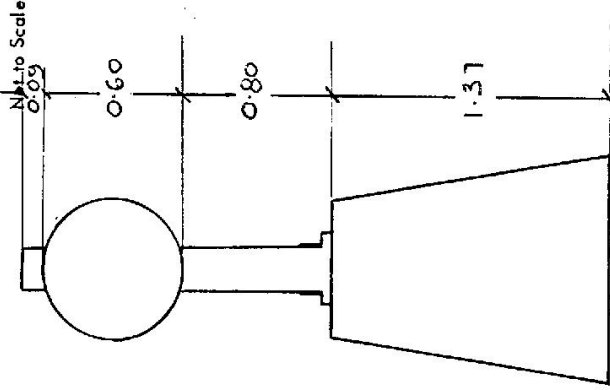
Co: Gloucester. Ph:

Map Sheet: GLoucester No: 9233

Inspected by: A. Graham Date: 12.10.78

Authority I.S.D. Newcastle Field Book: PDP 1163

Beacon Diagram



Date Record of Station

0478 Pillar Erected

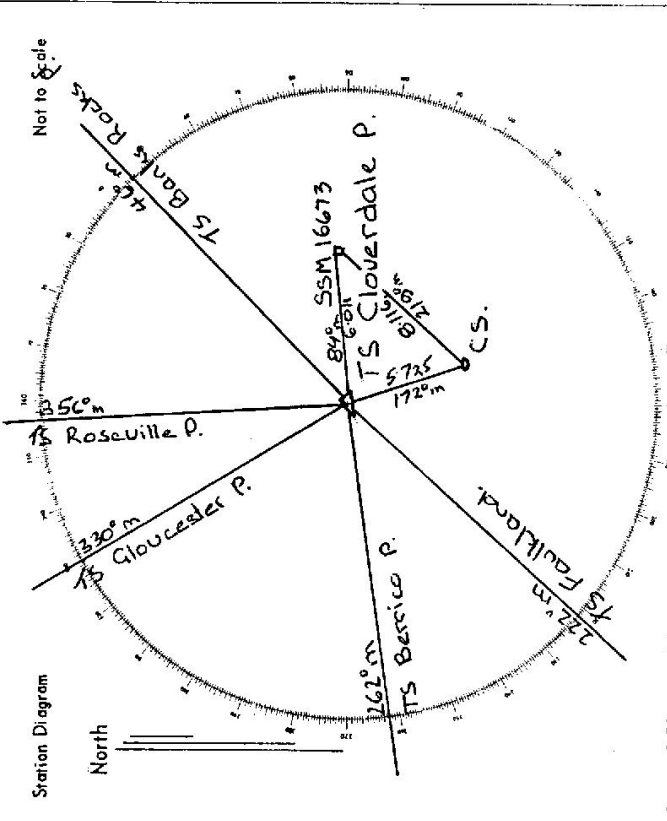
STATION TS Cloverdale (P) 10603.

Owners Name..... R. WHEATLEY.
 Current Occupant..... R. WHEATLEY.
 Address..... GLOUCESTER.
 Address..... GLOUCESTER.

Access

Access	Kms.	Feature
0.0		Stratford RD. Travel north towards Gloucester
1.5		Turn right at Wallard Car's Rd.
2.1		Causeway
3.7		Turn right through sliprails and take track straight ahead
4.9		Cross dry creek
4.5		Through wire gate
4.55		Undo fence beside track from house. Travel East across paddock
4.8		Gateway (no actual gate) Take RH opening.
5.0		Fence + Trig.

Conventional vehicle access in dry weather



List of Observed Directions:-

Standpoint: Pillar Plate Standpoint: SSM 16673

Station	Direction	Station	Direction
Banks Rocks P	0° 00' 00"	Cloverdale P	0° 00' 00"
SSM 16673	58° 39' 50"	Copper Spike	315° 11' 11"
C.S.	126° 06' 21"		
Faulkland	176° 37' 35' 2"		
Berrico P	216° 33' 2' 33"		

Station	Direction	Station	Direction
Gloucester P	284° 07' 04' 40"		
Roseville P	309° 45' 2' 35"		