

75-103

STATION TS WIOCA 5TH P 10592

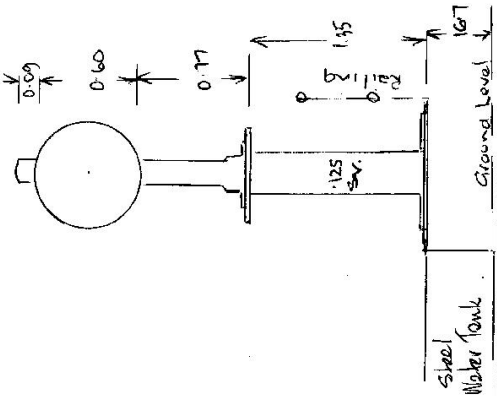
Co: Northumberland Ph: Kincumber

Map Sheet: Wagford No: 9/31

Inspected by: M Basith Date: 8-8-78

Authority: 50 Field Book: 78/2/27/083

Beacon Diagram Not to Scale



Date	Record of Station
June 78	Pillar Erected

Department of Lands Integrative Survey of N.S.W  
**RECONNAISSANCE and MAINTENANCE REPORT**

Note: Cross out word or words which do not apply

This Trig. Station has been:

1. Completely cleared to permit 360° vision to surrounding Trigs. ✓
2. Cleared by ~~lanes bearing~~ from Trig-Mast ✓
3. Trig. Mast & Vanes have been painted white & black respectively. ✓
4. The Trig. was unpiled/~~not-unpiled~~, dimensions now being: ✓

Description of mark: Steel pillar should be explicit, e.g. Steel plug, Brass plug, Brass plug, Bolt, Concrete Pillar  
 Height of mark: 16.05 m. <sup>above</sup> ~~rock/concrete~~ G.L.  
 Height of Top Vanes to Top-Mark/Top pillar plate: 1.37 m Diameter of Vanes (vertical): 0.60 m.  
 Height of Cairn: 1.35 m. Diameter of Cairn: 12.5 m.  
 Length of Mast: 1.46 m. (approximate if not unpiled)

5. A. set in conc./rock has been placed/fd ..... m. bearing .....°M from Trig. Mast/pillar
6. A. set in conc./soil has been placed/fd ..... m. bearing .....°M from Trig. Mast/pillar
7. A. set in conc./soil has been placed/fd ..... m. bearing .....°M from Trig. Mast/pillar
8. A. set in conc./rock has been placed/fd ..... m. bearing .....°M from Trig. Mast/pillar

9. Connection.....to..... m. bearing.....°M
10. Connection.....to..... m. bearing.....°M
11. Connection.....to..... m. bearing.....°M
12. Connection.....to..... m. bearing.....°M
13. Diff. Ht. .... is ..... m. <sup>above</sup>/<sub>below</sub>
14. Diff. Ht. .... is ..... m. <sup>above</sup>/<sub>below</sub>
15. Diff. Ht. .... is ..... m. <sup>above</sup>/<sub>below</sub>
16. Diff. Ht. .... is ..... m. <sup>above</sup>/<sub>below</sub>

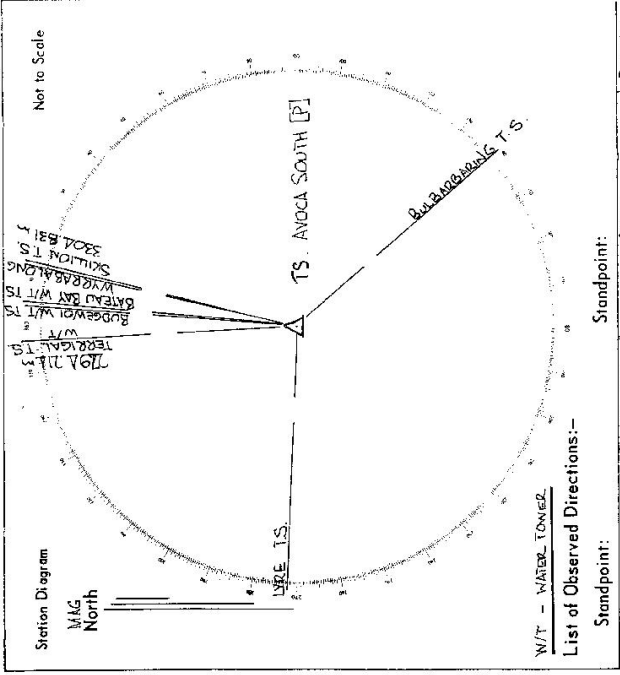
Prepared by: [Signature] Checked: [Signature]

STATION TS 10592 ANOCA STH. P.

Owners Name: Gosford Shire Council Current Occupant: Duane

Address: Gosford Address:

Access 8-8-78  
 Located at Anoca Sth 50 metres south of  
 Intersection of Endeavour Drive and  
 Cape Three Points Road.



List of Observed Directions:-

Standpoint:		Standpoint:	
Station	Direction	Station	Direction
TS 2915 LYRE	271.00.000	TS SKULLION [P]	13.29.26.4
TS TEROGAL W/T [P]	356.50.263	TS 1016 BUKARABANG	138.49.61.3
TS 1216 BUREAU BAY W/T	4.17.58.0		
TS 10416 BUREAU BAY W/T	5.12.16.7		
TS 4876 WYRABALONG [P]	13.00.30.0		
Station	Direction	Station	Direction