

7-1-19

Department of Lands

Integration of N.S.W.

RECONNAISSANCE and MAINTENANCE REPORTS

STATION GREEN Point Res (P) IS 10589

Co: _____ No: _____
 Map Sheet: _____
 Inspected by: H.J. GREEN Date: 22-11-76
 Authority: DEPT LANDS. Field Book: _____

This Trig. Station has been:-
 Note: Cross out word or words which do not apply
 1. Completely cleared to permit 360° vision to surrounding Trigs. ✓
 2. Cleared by lanes bearing ✓ from Trig. Mast
 3. Trig. Mast & Vanes have been painted white & black respectively. ✓
 4. The Trig. was unpiled/not unpiled, dimensions now being:

Description of mark **Red F. Top Beacon on side of WATER RESERVOIR**. Brass plug, Bolt, Concrete Pillar

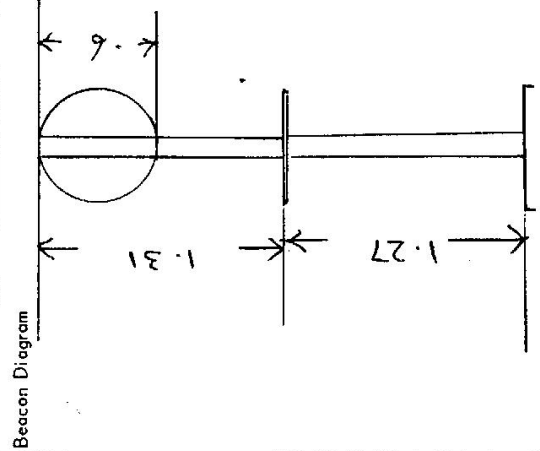
Height of mark: _____ m above rock/concrete _____ m above G.L.
 Height of Top Vanes to Top Mark/Top pillar plate: 1.31 m Diameter of Vanes (vertical): 6.0 m.
 Height of Beacon: 1.27 m. Diameter of Cairn: _____ m.

Length of Mast: _____ m. (approximate if not unpiled)

5. A. _____ set in conc/rock has been placed/ld _____ m. bearing _____ °M from Trig. Mast/pillar
6. A. _____ set in conc/soil has been placed/ld _____ m. bearing _____ °M from Trig. Mast/pillar
7. A. _____ set in conc/soil has been placed/ld _____ m. bearing _____ °M from Trig. Mast/pillar
8. A. _____ set in conc/rock has been placed/ld _____ m. bearing _____ °M from Trig. Mast/pillar

9. Connection: _____ to _____ m. bearing _____ °M
10. Connection: _____ to _____ m. bearing _____ °M
11. Connection: _____ to _____ m. bearing _____ °M
12. Connection: _____ to _____ m. bearing _____ °M
13. Diff. Ht. _____ is _____ m. above _____ below _____
14. Diff. Ht. _____ is _____ m. above _____ below _____
15. Diff. Ht. _____ is _____ m. above _____ below _____
16. Diff. Ht. _____ is _____ m. above _____ below _____

Prepared by: W. Starkey Checked: _____



Date	Record of Station
22-11-76	Roof Top Beacon set on side of water Reservoir. H.J. Green

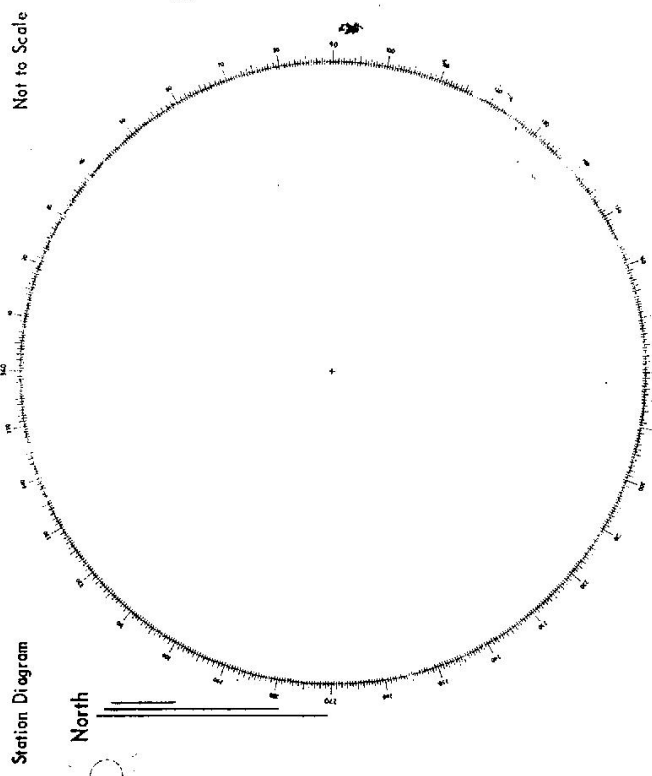
STATION GREEN POINT RES (P) TS-10589

Owners Name..... Current Occupant.....

Address..... Address.....

23-11-1976
 Access BEATTIES RD. Green Point.
 North from AVOCA Drive
 See. COAGGANS CENTRAL COAST MAP.

Not to Scale



List of Observed Directions:-

Standpoint:		Standpoint:	
Station	Direction	Station	Direction

75-103

Department of Lands Integrative survey of N.S.W.
RECONNAISSANCE and MAINTENANCE REPORT

This Trig. Station has been:-
 Note: Cross out word or words which do not apply

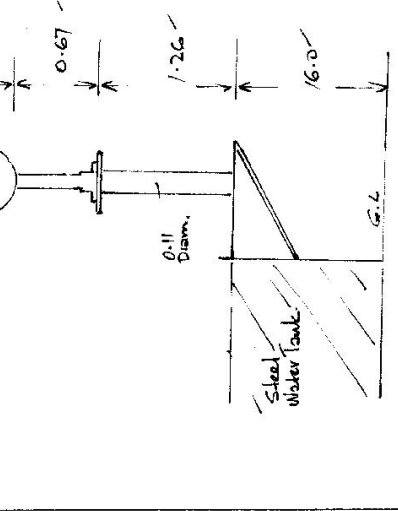
1. Completely cleared to permit 360° vision to surrounding triggs.
2. Cleared by lanes bearing 170° m. - 30° m. from Trig. Mast
3. Trig. Mast & Vanes have been painted white & black respectively. ✓
4. The Trig. was unpiled/mast-unpiled, dimensions now being:
 Description of mark Steel Pillar should be explicit, e.g. Steel plug, Brass plug, Bolt, Concrete Pillar

Height of mark rock/concrete 17.76 m above below G.L.
 Height of Top Vanes to ~~Top~~ Top pillar plate 1.28 m Diameter of Vanes (vertical) 0.67 m.
 Height of Cairn 1.26 m. Diameter of Cairn 0.11 m.
 Length of Mast 1.27 m. (approximate if not unpiled)

5. A. set in conc/rock has been placed/fd m. bearing°M from Trig. Mast/pillar
6. A. set in conc/soil has been placed/fd m. bearing°M from Trig. Mast/pillar
7. A. set in conc/soil has been placed/fd m. bearing°M from Trig. Mast/pillar
8. A. set in conc/rock has been placed/fd m. bearing°M from Trig. Mast/pillar
9. Connection..... to..... m. bearing°M
10. Connection..... to..... m. bearing°M
11. Connection..... to..... m. bearing°M
12. Connection..... to..... m. bearing°M
13. Diff. Ht. is m. above below
14. Diff. Ht. is m. above below
15. Diff. Ht. is m. above below
16. Diff. Ht. is m. above below

Prepared by [Signature] Checked by [Signature]

STATION TS Green Point Res (P10589)
 Co: Northumberland Ph: Kincumber
 Map Sheet: Crossford No: 9131
 Inspected by: A Graham Date: 4.7.78
 Authority: I.S.D. Nole Field Book: ppp 952.
 Beacon Diagram Not to Scale



Date	Record of Station
July 78	Pillar Erected

STATION TS 10589 Green Point (P)

Owners Name: Gosford Shire Council Current Occupant: Gosford Shire Council

Address: Mann St Gosford

Access Km: 0.0

1-3 Turn Right into Avoca Drive - continue past shopping centre

2-1 Turn Left into Beaufort Rd - Water tank

- 4-7-1978
feature

Then Mann St and Donnan St at Gosford
Travel South along Mann St towards Erina.
Turn Right into Avoca Drive - continue past shopping centre
Turn Left into Beaufort Rd -
Water tank

For access to tank key required from Gosford Shire Council.

D. West, Government Printer, New South Wales - 1976

