

75-10-3

Department of Lands Integrating survey of N.S.W.
RECONNAISSANCE and MAINTENANCE REPORT

This Trig. Station has been:- Note: Cross out word or words which do not apply

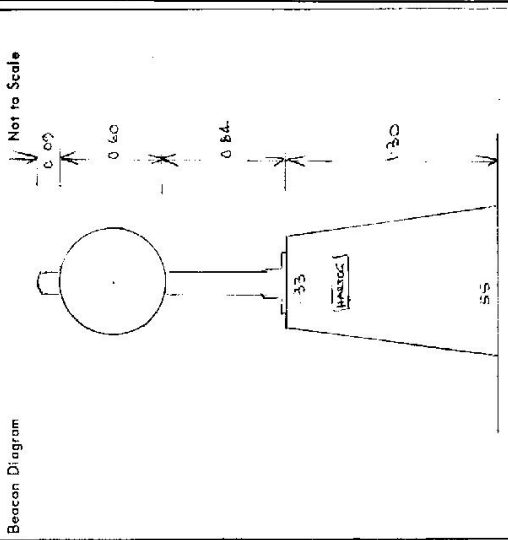
1. Completely cleared to permit 360° vision to surrounding Trigs. ✓
2. Cleared by James bearing from Trig-Mast
3. Trig. Mast & Vanes have been painted white & black respectively. ✓
4. The Trig. was unpiled/~~not unpiled~~, dimensions now being:
 Description of mark concrete pillar should be explicit, e.g. Steel plug, Brass plug, Bolt, Concrete Pillar

Height of mark 1.30 m above G.L.
 Height of Top Vanes to Top-Mark/Top pillar plate 1.44 m Diameter of Vanes (vertical) 0.40 m.
 Height of Cairn 1.30 m. Diameter of Cairn 32 x 55 m.
 Length of Mast 1.53 m. (approximate if not unpiled)

5. A SSWA set in conc/~~mark~~ has been placed 177 m. bearing 177°M from Trig. Mast/pillar
6. A concrete set in conc/soil has been placed 44 m. bearing 235°M from Trig. Mast/pillar
7. A concrete set in conc/soil has been placed 44 m. bearing 235°M from Trig. Mast/pillar
8. A concrete set in conc/rock has been placed 44 m. bearing 235°M from Trig. Mast/pillar
9. Connection SSWA to CS is 6.655 m. bearing 195°M
10. Connection SSWA to SS is 6.655 m. bearing 195°M
11. Connection SSWA to SS is 6.655 m. bearing 195°M
12. Connection SSWA to SS is 6.655 m. bearing 195°M
13. Diff. Ht. Pillar Plate is 1.671 m. above SSWA
14. Diff. Ht. Pillar Plate is 1.522 m. below CS
15. Diff. Ht. SSWA is 0.153 m. above CS
16. Diff. Ht. SSWA is 0.153 m. below CS

Prepared by [Signature] Checked: [Signature]

STATION TS 10585 HARTOG [P]
 Co: HUNTER | PH: LEMINGTON
 Map Sheet: HOWES VALLEY | No: 4032
 Inspected by: P.M. BENTH | Date: 14.7.18
 Authority ISD NCLE | Field Book: PDP 1129



Date	Record of Station
14/7/18	Pillar Erected
14/7/18	Callery advises that works beneath Trig. Station will most likely disturb T.S. Callery surveyor will monitor any movement and inform of same.

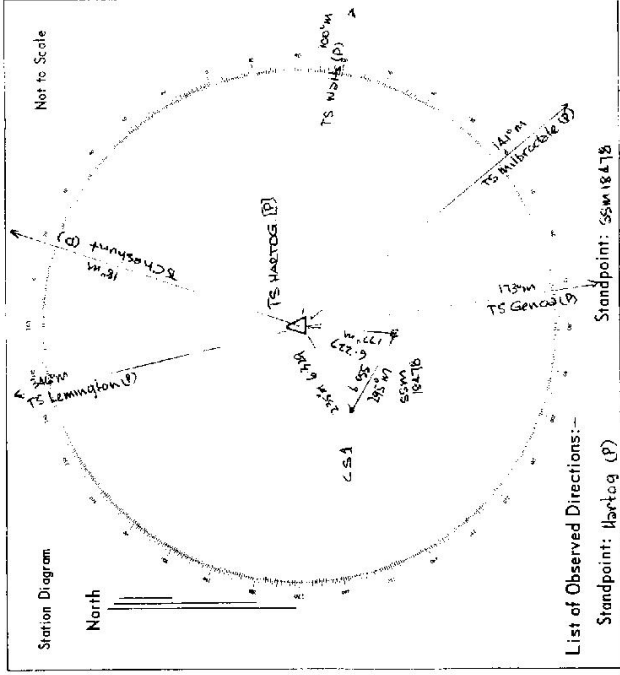
STATION TS 10585 HARTOG (P)

Owners Name: Wambo Mining Current Occupant: Duineer

Address: Wambo North Address: _____

- km. Access
- 0.0 Smallton P.O. Travel south along Putty Road.
 - 11.85 Over pass (Entrance to Industrial Subdivision)
 - 12.0 Turn Right. sign Denman - Jerrys Plains
 - 20.95 Pass Turn off to Bulga + Brake on L.H.S.
 - 22.25 Bridge
 - 22.55 Turn left at Golden Ploose Service Stn.
 - 24.75 Turn right through Iron gate. opp. sign "Ridge Entry"
 - 25.85 Grnd
 - 27.05 Turn hand right
 - 27.25 Take right track
 - 27.35 TRNG.

Access by conventional vehicle.



List of Observed Directions:-

Standpoint: Hartog (P)		Standpoint: SSM 18478	
Station	Direction	Station	Direction
TS Lemington (P)	0° 00' 00"	SSM 18478	191° 28' 21"
TS Chestnut (P)	20° 41' 30.96"	TS Hartog (P)	249° 04' 00"
TS Mulbrake (P)	102° 00' 36.91"	TS Hartog (P)	
TS Mulbrake (P)	158° 28' 15.67"	Copper Spike	
TS Glenaca (P)	183° 58' 31.00"		