

25 103

Department of Lands

RECONNAISSANCE and MAINTENANCE REPORT

STATION TS 10562 NEW ENGLAND[P]

Co: INGLIS Ph: PERRY
 Map Sheet: BENDMEER No: 9196
 Inspected by: E. J. GARVIN Date: 7.8.78
 Authority: INTEGRATION Field Book: 1124

Beacon Diagram Not to Scale

Note: Cross out word or words which do not apply

This Trig. Station has been:

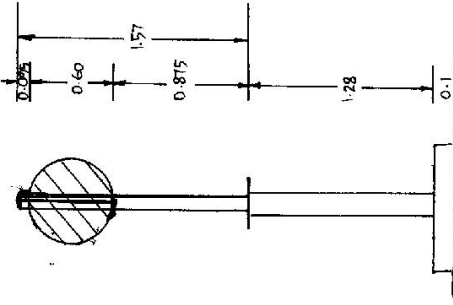
1. Completely cleared to permit 360° vision to surrounding Trigs.
2. Cleared by James bearing ~~from Trig-Mast~~
3. Trig. Mast & Vanes have been painted white & black respectively.
4. The Trig. was unpiled/not unpiled, dimensions now being:

Description of mark: STEEL OBSERVING PILLAR should be explicit, e.g. Steel plug, Brass plug, Bolt, Concrete Pillar
 Height of mark: 1.28 m above ~~rock~~ concrete 1.4 m above G.L.
 Height of Top Vanes to Top Mark/Top pillar plate: 1.475 m Diameter of Vanes (vertical): 0.60 m.
 Height of Cairn: Diameter of Cairn: m

- Length of Mast: 1.57 m. (approximate if not unpiled)
 SSM 23295 set in conc/rock has been placed/fd 0.960 m. bearing 202°M from Trig-Mast-pillar
 A Copper Spike set in conc-soil has been placed/fd 5.126 m. bearing 173°M from Trig-Mast-pillar
 A set in conc/soil has been placed/fd m. bearing °M from Trig. Mast-pillar
 A set in conc/rock has been placed/fd m. bearing °M from Trig. Mast-pillar
 Connection: SSM to CS: 4.303 m. bearing 164°M

10. Connection: to : m. bearing °M
11. Connection: to : m. bearing °M
12. Connection: to : m. bearing °M
13. Diff. Ht. SSM 23295 is 1.384 m. below Pillar
14. Diff. Ht. Copper Spike is 1.757 m. above Pillar
15. Diff. Ht. is m. above
16. Diff. Ht. is m. below

Prepared by: E. J. GARVIN T.S. Checked:



Date: 17.6.78 Record of Station

PILLAR SELECTED - I. CARTER

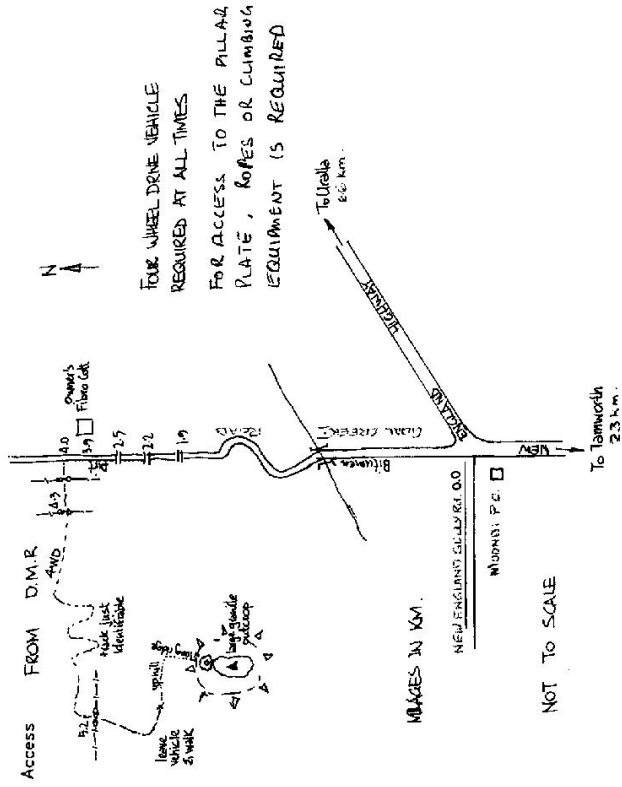
STATION TS 10562 NEW ENGLAND CP

Current Occupant.....

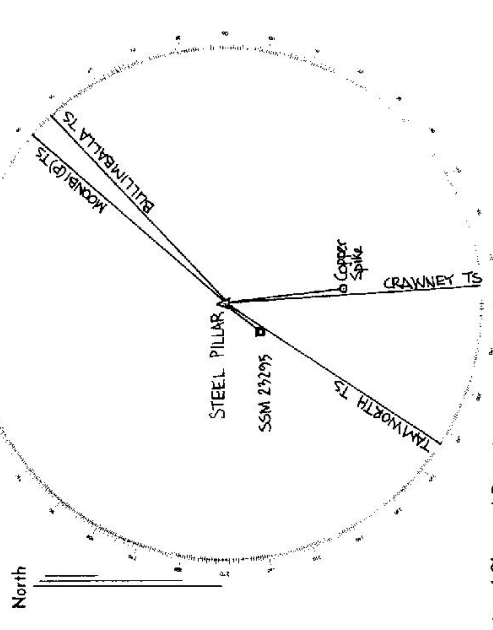
Address.....

Owners Name.....

Address.....



Station Diagram Not to Scale



List of Observed Directions:-

Standpoint: Steel Pillar		Standpoint:	
Station	Direction	Station	Direction
TS 917M MIDNIGHT (P)	42° 00' 00"		
TS 1125T BALLINBALLA	146° 29' 18.40"		
Copper Spike	113° 27' 04.5"		
SSM 23295	200° 17' 15".4		
TS 1127T TARNWORTH	213° 22' 23".5		
Station	Direction	Station	Direction

7/2/03

Department of Lands Intelligal survey of N.S.W.
RECONNAISSANCE and MAINTENANCE REPORT

STATION **TS 10562 NEW ENGLAND [P]**
 Co: **INGALLS** Ph: **PERRY**
 Map Sheet: **BENDEMEER** No: **9176**
 Inspected by: **E. J. GARVIN** Date: **1.8.78**
 Authority: **INTEGRATION** Field Book: **1124**
 Beacon Diagram: Not to Scale

This Trig. Station has been: Note: Cross out word or words which do not apply

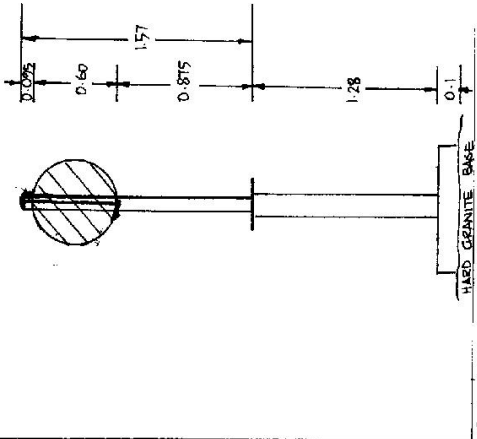
1. Completely cleared to permit 360° vision to surrounding Trigs.
2. ~~Cleared by James bearing~~ from Trig. Mast
3. Trig. Mast & Vanes have been painted white & black respectively.
4. The Trig. was unpiled/not unpiled, dimensions now being:

Description of mark: **STEEL OBSERVING PILLAR** should be explicit, e.g. Steel plug, Brass plug, Bolt, Concrete Pillar
 Height of mark: 1.28 m ^{above} ~~steel~~ concrete 1.4 m ^{above} G.L.
 Height of Top Vanes to Top Mark/Top pillar plate: 1.175 m Diameter of Vanes (vertical): 0.60 m.
 Height of Cairn: 0.157 m Diameter of Cairn: 0.075 m

- Length of Mast: 1.57 m. (approximate if not unpiled)
 SSM 27295 ~~set in conc/rock~~ has been placed/d. 0.250 m, bearing 207 °M from Trig-Mast pillar
 5. ~~A. Copper Spike~~ set in ~~conc/soil~~ ^{rock} has been placed/d. 5.126 m, bearing 173 °M from Trig-Mast pillar
 6. A. ~~set in conc/soil~~ has been placed/d. 0.000 m, bearing 0 °M from Trig. Mast pillar
 7. A. ~~set in conc/rock~~ has been placed/d. 0.000 m, bearing 0 °M from Trig. Mast pillar
 8. A. ~~set in conc/rock~~ has been placed/d. 0.000 m, bearing 0 °M from Trig. Mast pillar

9. Connection: SSM to C.S. : 4.783 m, bearing 166 °M
10. Connection: to : m, bearing 0 °M
11. Connection: to : m, bearing 0 °M
12. Connection: to : m, bearing 0 °M
13. Diff. Ht. SSM 27295 is 1.784 m ^{above} ~~below~~ Pillar
14. Diff. Ht. Copper Spike is 1.351 m ^{above} ~~below~~ Pillar
15. Diff. Ht. is 0.000 m ^{above} ~~below~~
16. Diff. Ht. is 0.000 m ^{above} ~~below~~

Prepared by: **E. J. GARVIN T.S.** Checked:



Date: **1.8.78** **PILLAR ERECTED - J. CARTER**
 Record of Station

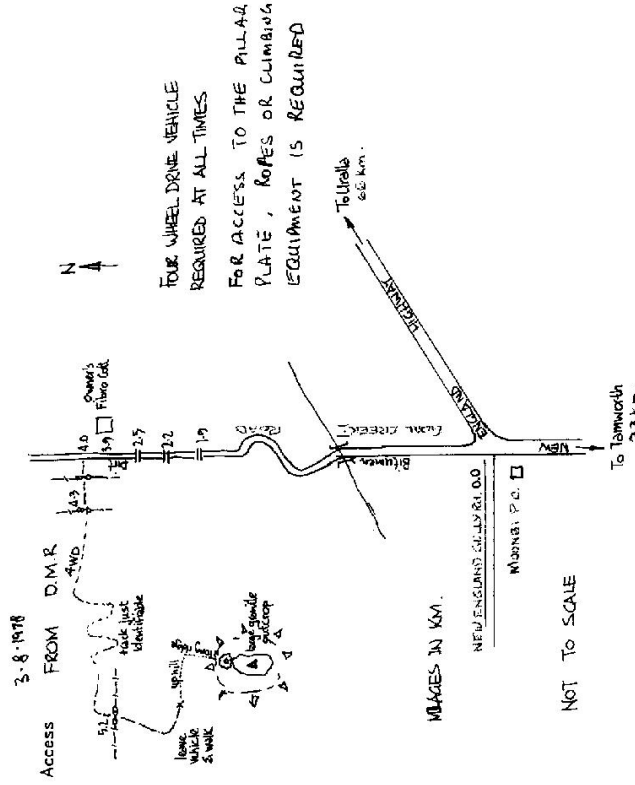
STATION TS 10562 NEW ENGLAND CPT

Current Occupant.....

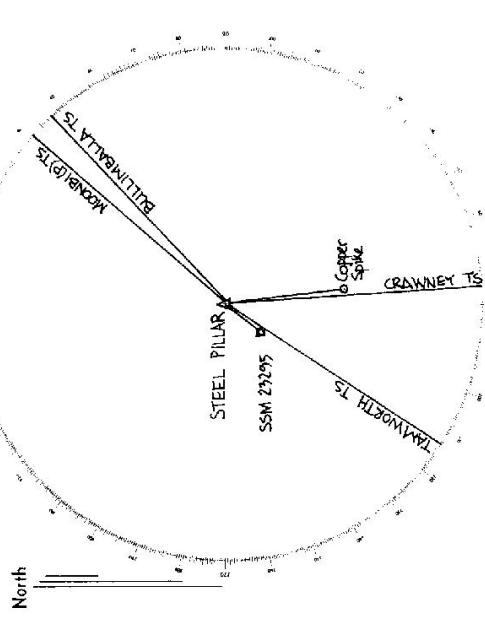
Address.....

Owners Name.....

Address.....



Station Diagram Not to Scale



List of Observed Directions:-

Station	Standpoint: Steel Pillar	
	Direction	Station
TS 2170 MURORA (P)	127° 00' 00"	
TS 1157 BULLMIBALKA	146° 59' 18.5"	
Corner Spike	173° 21' 04.2"	
SSM 23295	209° 17' 15.4"	
TS 1022 TAMWORTH	219° 22' 25.5"	

Station	Direction	Station	Direction