

72-103

Department of Lands
 Reconnaissance and Maintenance Report

STATION TS 10561 GULLIGAL CP

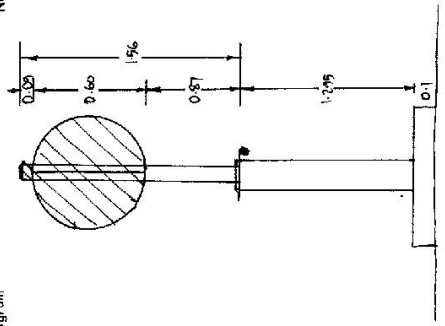
Co: INGLIS Ph: PERRY

Map Sheet: BENDEMEER No: 9136

Inspected by: E. J. GARVIN Date: 7.8.78

Authority: INTEGRATION Field Book: PDS 1124

Beacon Diagram Not to Scale



This Trig. Station has been:-

1. Completely cleared to permit 360° vision to surrounding Trig.
2. Cleared by lanes bearing
3. Trig. Mast & Vanes have been painted white & black respectively.
4. The Trig. was unpiled/not unpiled, dimensions now being:

Description of mark... STEEL OBSERVING PILLAR... should be explicit, e.g. Steel plug, Brass plug, Bolt, Concrete Pillar
 Height of mark... 1.295 m above ~~concrete~~ concrete ~~below~~ G.L.
 Height of Top Vanes to Top Mark/Top pillar plate... (47 m Diameter of Vanes (vertical))... 0.60 m.
 Height of Conn... m. Diameter of Conn... m.

Length of Mast... 1.56 m. (approximate if not unpiled)

5. A ^{SSM} D.M.G. ~~Lat~~ Lat. mark set in conc. ~~mark~~ has been placed/fd 4.974 m. bearing 147°...°M from Trig-Mast/pillar
6. A Copper Spike set in conc./soil has been placed/fd 2.782 m. bearing 117°...°M from Trig-Mast/pillar
7. A... set in conc./soil has been placed/fd... m. bearing...°M from Trig. Mast/pillar
8. A... set in conc./rock has been placed/fd... m. bearing...°M from Trig. Mast/pillar
9. Connection... SSM to CS... 4.918 m. bearing 182°...°M
10. Connection... to... m. bearing...°M
11. Connection... to... m. bearing...°M
12. Connection... to... m. bearing...°M
13. Diff. Ht. ... SSM is 1.271 m. ^{above} Pillar
14. Diff. Ht. ... CS is 1.620 m. ^{below} Pillar
15. Diff. Ht. ... is... m. ^{above} below
16. Diff. Ht. ... is... m. ^{above} below

Date	Record of Station
21.11.78	PILLAR ERECTED BY I. CARTER

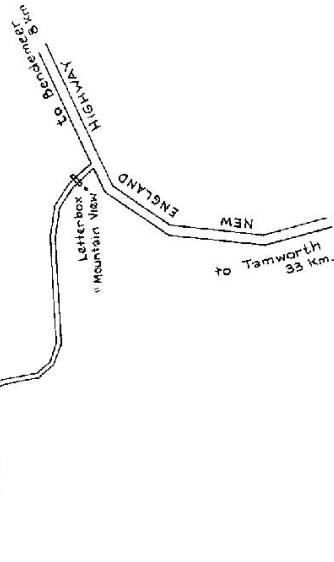
Prepared by: E. J. GARVIN T. S. Checked:

STATION TS10561 CULLIGAL (P)

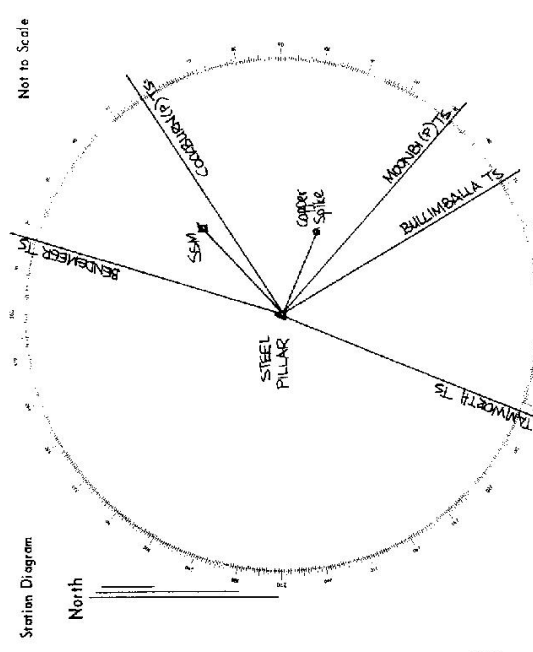
Owners Name..... Current Occupant.....

Address..... Address.....

Access 3-8-1978
Follow track to Trig. 5m



D. West, Government Printer, New South Wales - 1976



List of Observed Directions:-

Standpoint: Steel Pillar		Station	
Station	Direction	Station	Direction
TS 851, BENBENGER	17° 00' 00"		
SSM	48° 58' 14.0"		
TS 10561, COCKSHILL (P)	57° 24' 36.0"		
Copper Spile	115° 28' 26.4"		
TS 2110, MOUNTAIN (P)	136° 38' 18.5"		
Station		Station	
Station	Direction	Station	Direction
TS 1251, BULLIMBALLA	147° 15' 56.5"		
TS 4272, TAMMORTH	202° 15' 21.5"		