

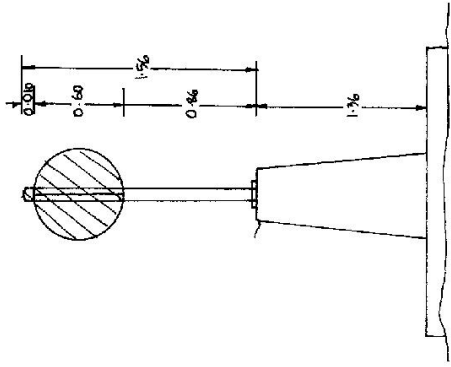
75 10 4

Department of Lands Integral Survey of N.S.W  
**RECONNAISSANCE and MAINTENANCE REPORT**

STATION **TS 10549 FURRACABAD [P]**

Co: **GOUGH** Ph: **GLEN INNES**  
 Map Sheet: **GLEN INNES** No: **9238**  
 Inspected by: **E. J. GARVIN** Date: **13.7.79**  
 Authority: **INTEGRATION** Field Book: **1124**

Beacon Diagram Not to Scale



Date	Record of Station
17.9.78	PILLAR ERRECTED - I. CARTER

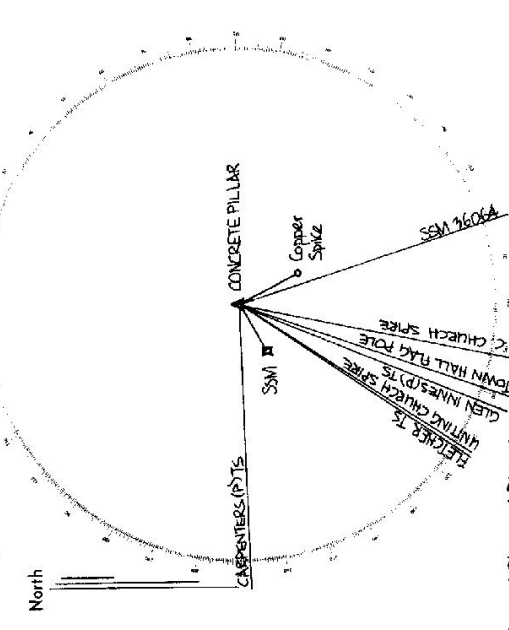
- Note: Cross out word or words which do not apply
- Completely cleared to permit 360° vision to surrounding Trig.
  - Cleared by lances bearing..... from Trig. Mast
  - Trig. Mast & Vanes have been painted white & black respectively.
  - The Trig. was unpiled/not unpiled, dimensions now being:  
 Description of mark... **CONCRETE OBSERVING PILLAR**... should be explicit, e.g. Steel plug, Brass plug, Bolt, Concrete Pillar  
 Height of mark..... <sup>above</sup> 1.7 m <sup>below</sup> rock/concrete ..... G.L.  
 Height of Top Vanes to Top-Mark/Top pillar plate..... 1.46 m Diameter of Vanes (vertical)... 0.60.. m.  
 Height of Cairn..... m. Diameter of Cairn..... m.
  - Length of Mast..... 1.56 m. (approximate if not unpiled)  
 Ap. SSM... set in conc./rock has been placed/d... 4.64 m, bearing..... 240...°M from Trig-Mast-pillar  
(Dial Control Mark)
  - A Copper Spike... set in conc./soil has been placed/d... 2.27 m, bearing..... 172...°M from Trig-Mast-pillar
  - A..... set in conc./soil has been placed/d... m, bearing..... °M from Trig. Mast/pillar
  - A..... set in conc./rock has been placed/d... m, bearing..... °M from Trig. Mast/pillar
  - Connection... SSM... to... CS... : 7.142 m, bearing... 111...°M
  - Connection..... to..... m, bearing.....°M
  - Connection..... to..... m, bearing.....°M
  - Connection..... to..... m, bearing.....°M
  - Diff. Ht. .... SSM is <sup>above</sup> 1.68 m <sub>below</sub> Pillar.....
  - Diff. Ht. .... Copper Spike is <sup>above</sup> 1.781 m <sub>below</sub> Pillar.....
  - Diff. Ht. .... Copper Spike is <sup>above</sup> 0.300 m <sub>below</sub> SSM.....
  - Diff. Ht. .... is ..... m. <sub>above</sub> <sub>below</sub>
- Prepared by: E. J. GARVIN T.S. Checked: \_\_\_\_\_

STATION TS 10549 | FURRACABAD [P]

Owners Name..... Current Occupant.....

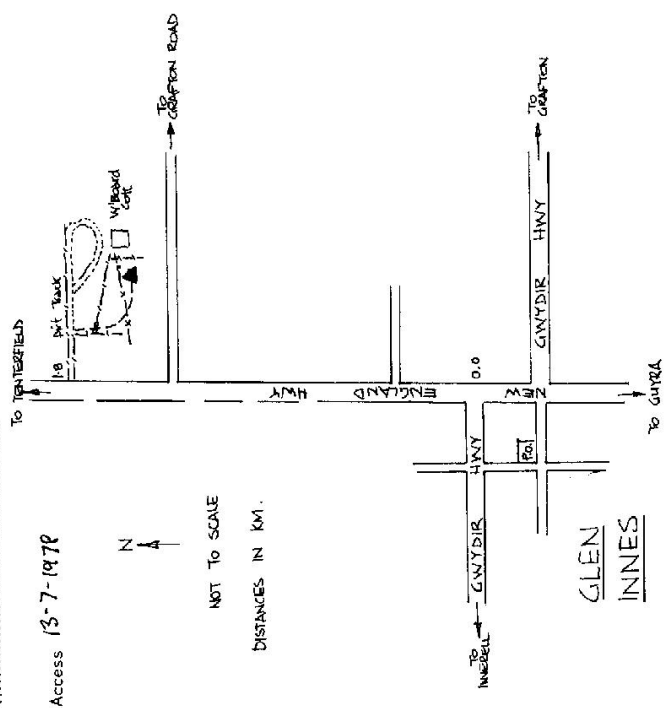
Address.....

Station Diagram  
North



List of Observed Directions:

Standpoint: Concrete Pillar		Station	Direction	Station	Direction
FLETCHER TS (TS 2071)	214°	ON 00°			
CARPENTERS (P) TS (TS 10550)	247°	54° 04' 8"			
SSM 26006	163°	58° 10' 5"			
TS 10556 R.C. CHURCH SPIRE	171°	50° 49' 7"			
TS 10555 TOWN HALL FLAGPOLE	148°	26° 45' 8"			
Standpoint: GLEN INNES		Station	Direction	Station	Direction
TS 10552 GLEN INNES (P)	201°	21° 45' 2"			
TS 10557 HUNTING CHURCH SPIRE (SSM)	215°	16° 26' 1"			
Copper Spike	140°	09° 28' 6"			
	151°	35° 25' 5"			



Access 13-7-1978  
NOT TO SCALE  
DISTANCES IN KM.

D. West, Government Printer, New South Wales - 1976