

75-193

Department of Lands
 Reconnaissance and Maintenance Report

Inegration Survey of N.S.W

Note: Cross out word or words which do not apply

This Trig. Station has been:

1. Completely cleared to permit 360° vision to surrounding Trigs. ✓
2. Cleared-by-~~lines-bearing~~ from Trig. Mast ✓
3. Trig. Mast & Vanes have been painted white & black respectively. ✓
4. The Trig. was unpiled/~~not-unpiled~~, dimensions now being:

Description of mark: ~~concrete pillar~~ should be explicit, e.g. Steel plug, Brass plug, Bath, Concrete Pillar

Height of mark: ~~..... m~~ above rock/concrete ~~..... m~~ above G.L.

Height of Top Vanes to ~~Top Mast~~ Top pillar plate ~~..... m~~ Diameter of Vanes (vertical) ~~0.6~~ m.

Height of Cairn ~~1.38~~ m. Diameter of Cairn ~~..... m~~.

Length of Mast ~~1.555~~ m. (approximate if not unpiled)

5. A ~~SSM 24710~~ set in conc/~~rock~~ has been placed/id ~~3.659~~ m. bearing ~~72~~°M from Trig. ~~Mast/pillar~~

6. A ~~Brass Iron Plug~~ set in conc/~~sand~~ has been placed/id ~~8.477~~ m. bearing ~~27~~°M from Trig. ~~Mast/pillar~~

7. A ~~.....~~ set in conc/~~sail~~ has been placed/id ~~.....~~ m. bearing ~~.....~~°M from Trig. ~~Mast/pillar~~

8. A ~~.....~~ set in conc/~~rock~~ has been placed/id ~~.....~~ m. bearing ~~.....~~°M from Trig. ~~Mast/pillar~~

9. Connection ~~Iron Plug~~ to ~~SSM~~ ~~6.320~~ m. bearing ~~185~~°M

10. Connection ~~.....~~ to ~~.....~~ m. bearing ~~.....~~°M

11. Connection ~~.....~~ to ~~.....~~ m. bearing ~~.....~~°M

12. Connection ~~.....~~ to ~~.....~~ m. bearing ~~.....~~°M

13. Diff. Ht. ~~SSM 24710~~ is ~~1.801~~ m. ~~below~~ ~~Pillar Plate~~

14. Diff. Ht. ~~Iron Plug~~ is ~~1.839~~ m. ~~above~~ ~~Pillar Plate~~

15. Diff. Ht. ~~Iron Plug~~ is ~~0.036~~ m. ~~above~~ ~~SSM 24710~~

16. Diff. Ht. ~~.....~~ is ~~.....~~ m. ~~above~~ ~~.....~~

Prepared by: *[Signature]* Checked: *[Signature]*

STATION TS 10524 GORUK (P)

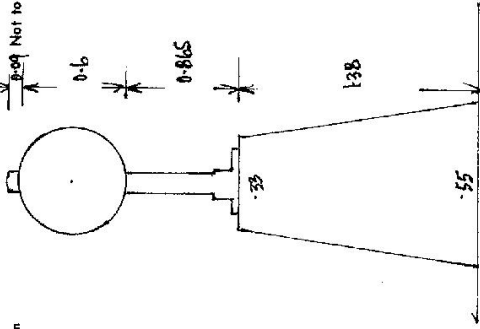
Co: DURHAM Ph: VAUX (PARTION 152) No: 9033

Map Sheet: Muswellbrook

Inspected by: P. Mc Beath Date: 1. 2. 78

Authority ISD NOLS Field Book: 681

Beacon Diagram



Date	Record of Station
6.6.78	W. Lav. Erected

STATION TS 10524 GOROK (P)

Current Occupant Gorok Stud

Owners Name Gorok Stud (Gilders)

Address: Muswellbrook

Access 7-9-1978
 From Muswellbrook take Dunmore Rd.
 Turn left 9km from Muswellbrook and travel approx 3.9km to
 entrance to Gorok "on R.H.S."

0.0 Entrance to Gorok Property - follow track.

1.2 Gate

1.5 Gate

1.9 Gate left away from house.

2.0 2 Iron Gates.

2.1 White Iron Gate.

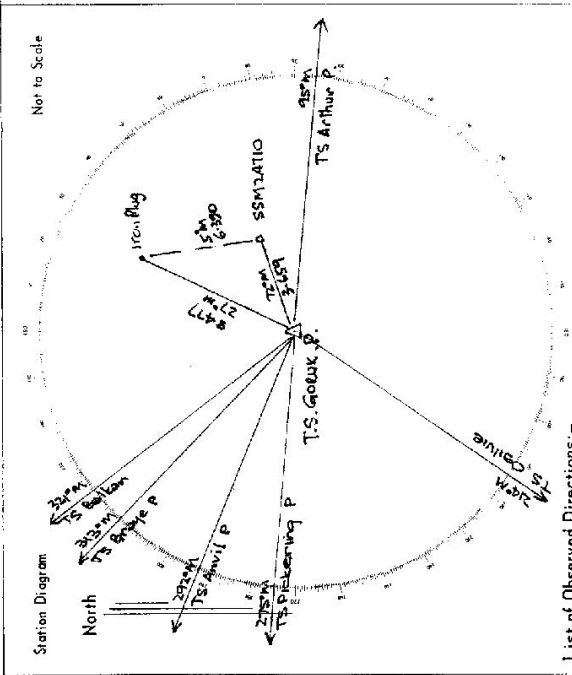
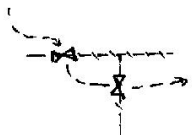
2.4 Track veers away from fence.

2.6 Turn left up steep rise near Kurrajong trees.

2.85 Follow V. Sleep track up fence on L.H.S.

3.0 Trig.

4 wheel drive only.



List of Observed Directions:-

Station	Direction	Station	Direction
T.S. Arthur P.	0° 00' 00"	T.S. Arthur P.	0° 00' 00"
T.S. Chivie	120° 43' 09.5"	SSM24710	89° 09' 15.5"
T.S. Pickering P.	178° 58' 24.83"	T.S. Gorok P.	112° 42' 54.5"
T.S. Anvil P.	195° 24' 18.91"		
T.S. Bray P.	218° 07' 55.58"		

Station	Direction	Station	Direction
T.S. Iron Plug	224° 21' 50.42"		
Steel Plug	242° 48' 28.5"		
SSM24710	332° 04' 12.5"		