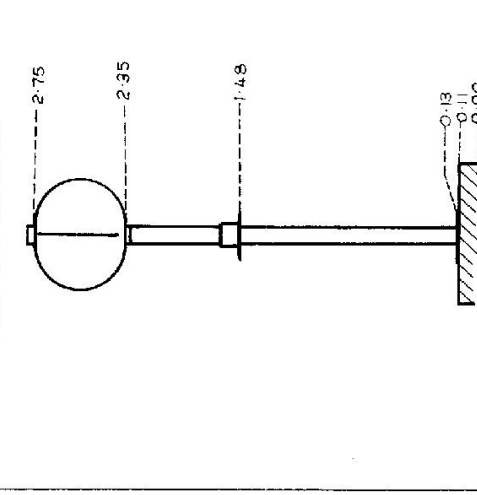


75-10

Department of Lands Integral Survey of N.S.W.  
**RECONNAISSANCE and MAINTENANCE REPORT IOS2D** STATION **MOSES T.S. (Pillar)** **10520**

Co: **DURHAM** Ph: **HOWICK**  
 Map Sheet: **9102-V** No:  
 Inspected by: **LAURENCE M. BERRY** Date: **MARCH 77**  
 Authority: Field Book:

Beacon Diagram **ROOFTOP BEACON** Not to Scale



Date	Record of Station
4.77	Lands Department Roof Top Beacon Erected

This Trig. Station has been:-  
 Note: Cross out word or words which do not apply

1. Completely cleared to permit 360° vision to surrounding Trigs.
2. Cleared by lanes bearing 360° from Trig. Mast
3. Trig. Mast & Vanes have been painted white & black respectively.
4. The Trig. was unpiled/not unpiled, dimensions now being:  
 Description of mark: **Roof Top Beacon** should be explicit, e.g. Steel plug, Brass plug, Bolt, Concrete Pillar  
 Height of mark: 1.35 m above ~~rock~~/concrete 1.48 m above G.L.  
 Height of Top Vanes to ~~Top Mast~~/Top pillar plate 1.47 m Diameter of Vanes (vertical) 0.60 m.  
 Height of Cairn: m. Diameter of Cairn: m.
5. A. set in conc/rock has been placed/fd m. bearing °M from Trig. Mast/pillar
6. A. set in conc/sail has been placed/fd m. bearing °M from Trig. Mast/pillar
7. A. set in conc/sail has been placed/fd m. bearing °M from Trig. Mast/pillar
8. A. set in conc/rock has been placed/fd m. bearing °M from Trig. Mast/pillar
9. Connection to m. bearing °M
10. Connection to m. bearing °M
11. Connection to m. bearing °M
12. Connection to m. bearing °M
13. Diff. Ht. is m. <sup>above</sup>/<sub>below</sub>
14. Diff. Ht. is m. <sup>above</sup>/<sub>below</sub>
15. Diff. Ht. is m. <sup>above</sup>/<sub>below</sub>
16. Diff. Ht. is m. <sup>above</sup>/<sub>below</sub>

Prepared by: *[Signature]* Checked: *[Signature]*

STATION MOSES T. S. 10520 (Pillar)

Current Occupant.....

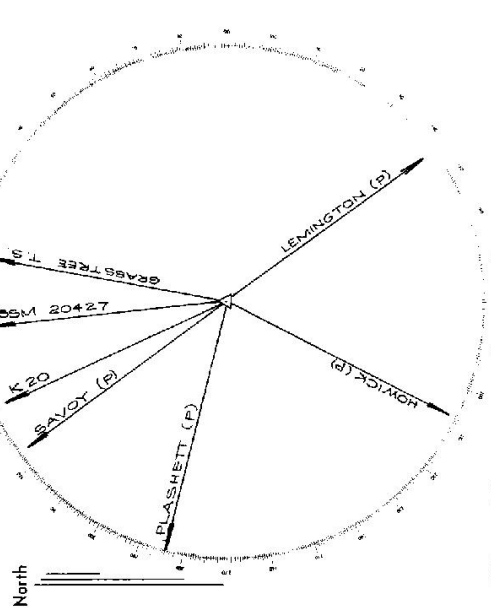
Address.....

Owners Name..... Moses.....

Address.....

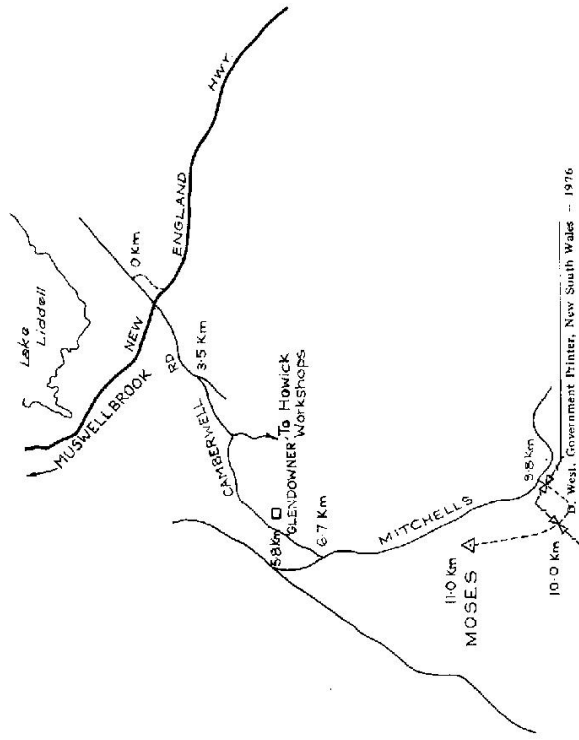
Access.....

Station Diagram Not to Scale



List of Observed Directions:-

Standpoint: PILLAR		Standpoint: PILLAR	
Station	Direction	Station	Direction
SSM 20427 (GEE T.S.)	10.00.00	Savoyn (Pillar)	328.54.13
Grasstree T.S.	16.01.22	K 20	340.36.13
Lemington (Pillar)	150.17.46		
Howick (Pillar)	213.13.27		
Plasbett (Pillar)	290.08.00		
Station	Direction	Station	Direction



10.0 Km  
11.0 Km  
6.7 Km  
3.5 Km  
0 Km  
9.9 Km  
West, Government Printer, New South Wales - 1976