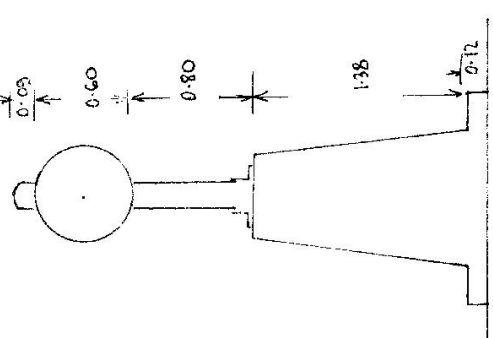


Department of Lands
 This Trig. Station has been: Integ. & Divy of N.S.W.
RECONNAISSANCE and MAINTENANCE REPORT
 Note: Cross out word or words which do not apply

STATION T.S. COX (P) (10472)
 Co: BOSBANE Ph: ELLIS
 Map Sheet: Musaus/Horseshoe No: 9033
 Inspected by: A. R. Graham Date: 21-11-77
 Authority: I.S.D. NCLC Field Book: PP2553
 Beacon Diagram Not to Scale



Date	Record of Station
18/77	Pillar Placed

This Trig. Station has been: Integ. & Divy of N.S.W.

1. Completely cleared to permit 360° vision to surrounding Trigs.
 2. Cleared-by-lanes-bearing
 3. Trig. Mast & Vanes have been pointed white & black respectively.
 4. The Trig. was unpiled/~~not unpiled~~, dimensions now being: Concrete Pillar should be explicit, e.g. Steel plug, Brass plug, Bolt, Concrete Pillar

Description of mark: concrete pillar 1.38 m above rock concrete 1.38 m above G.L.

Height of mark: 1.38 m above rock concrete 1.38 m above G.L.

Height of Top Vanes to ~~Top Mast~~ Top pillar plate: 1.40 m Diameter of Vanes (vertical): 0.60 m.

Height of Cairn: 1.38 m. Diameter of Cairn: m.

Length of Mast: 1.49 m. (approximate if not unpiled)

5. A SSM 73799 set in conc/rock has been placed 4.85 m, bearing 198 °M from Trig. ~~Mast~~ pillar

6. A Copper Spile set in conc. ~~soil~~ has been placed 4.47 m, bearing 10 °M from Trig. ~~Mast~~ pillar

7. A set in conc./soil has been placed: fd m, bearing °M from Trig. Mast pillar

8. A set in conc./rock has been placed: fd m, bearing °M from Trig. Mast/pillar

9. Connection SSM 73799 to C.S. ~~SSM 73799~~ bearing 326 °M

10. Connection to : m, bearing °M

11. Connection to : m, bearing °M

12. Connection to : m, bearing °M

13. Diff. Ht. Pillar Plate is 1.596 m. ^{above} SSM 73799

14. Diff. Ht. Pillar Plate is 1.614 m. ^{above} Copper Spile

15. Diff. Ht. SSM 73799 is 0.01 m. ^{above} C.S.

16. Diff. Ht. is m. ^{above}

Prepared by: AG Checked:

STATION T.S.) Cox 10472

Owners Name: M. Lomegan) Current Occupant: M. Lomegan

Address of: Thordale) Address:

Via Muswellbrook

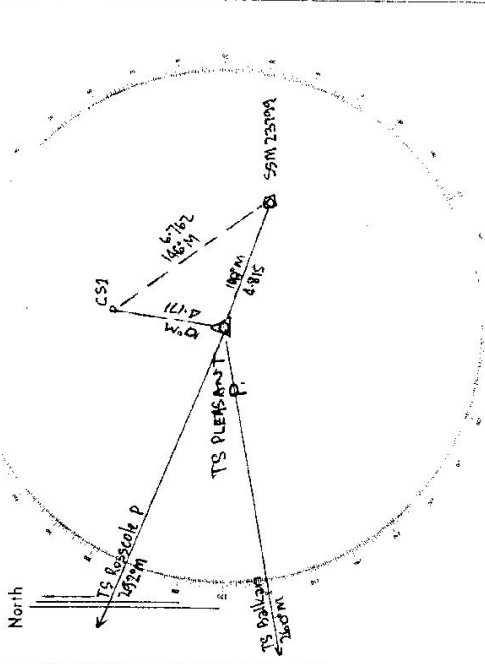
Access 21-11-1977
Km. Feature.

- 0.0 Muswellbrook P.O. Follow New England Hwy Northwards Scene.
- 1.0 Turn left onto Sandy Hollow Road.
- 1.6 Turn right over bridge - follow road to Kangas and Aberdeen.
- 6.0 Turn left onto Castle Rock Rd
- 11.7 At top of hill - Iron gate on L.H.S. beside large blazed tree - enter and follow track.
- 13.4 Wooden Gate - follow track to top of hill
- 13.8 TRIG.

Access by conventional vehicle.

Not to Scale

Station Diagram



List of Observed Directions:-

Standpoint: Ribby Plate		Standpoint: SSM23799	
Station	Direction	Station	Direction
TS Bolkow	0° 00' 00"	TS Pleasant P	0° 00' 00"
TS Recessed P	32° 58' 58.5"	Copper Spoke	37° 42' 01"
CS	110° 04' 10"		
SSM 23799	267° 27' 40.5"		
Station	Direction	Station	Direction