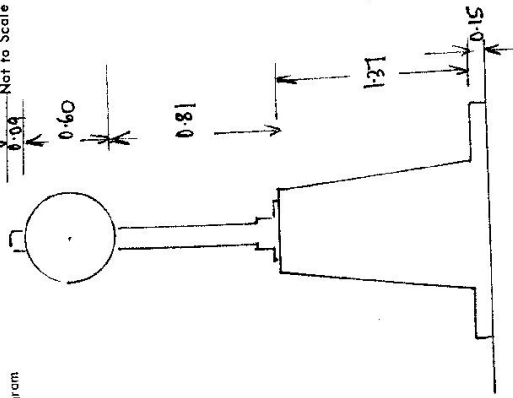


75-93

STATION **TS MERDEEN PILLAR (10463)**
 Co: **Brisbane** Ph: **Russell**
 Map Sheet: **Munivillbrook** No: **9033**
 Inspected by: **G. HELSHAM** Date: **23-11-77**
 Authority: **ISD NICLE** Field Book: **9PP 958**



Department of Lands
 Integratic Survey of N.S.W.
RECONNAISSANCE and MAINTENANCE REPORT

Note: Cross out word or words which do not apply

This Trig. Station has been:-

1. Completely cleared to permit 360° vision to surrounding Trigs. ✓
2. ~~Cleared by lanes-bearing~~ ✓
3. Trig. Mast & Vanes have been painted white & black respectively ✓
4. The Trig. was unpiled/~~not unpiled~~, dimensions now being: ✓

Description of mark: **concrete pillar** above rock/concrete should be explicit, e.g. Steel plug, Brass plug, Bolt, Concrete Pillar
 Height of mark: **1.52** m above G.L.
 Height of Top Vanes to ~~Top pillar plate~~ Top pillar plate: **1.41** m Diameter of Vanes (vertical) **0.60** m.
 Height of Cairn: **1.37** m. Diameter of Cairn: m.
 Length of Mast: **1.50** m. (approximate if not unpiled)

5. A **SSM 23197** set in conc/~~rock~~ has been placed/~~at~~ **7.266** m. bearing **252** °M from Trig. ~~Mast~~ pillar
6. A ~~Copper Spike~~ set in conc/~~soil~~ has been placed/~~at~~ **5.226** m. bearing **130** °M from Trig. ~~Mast~~ pillar
7. A set in conc/soil has been placed/~~at~~ m. bearing °M from Trig. Mast/pillar
8. A set in conc/rock has been placed/~~at~~ m. bearing °M from Trig. Mast/pillar
9. Connection: **SSM 23171 to C.S.** : **10.982** m. bearing **96** °M
10. Connection: to m. bearing °M
11. Connection: to m. bearing °M
12. Connection: to m. bearing °M
13. Diff. Ht. **Pillar Plate** is **1.802** m. above below **SSM 23197**
14. Diff. Ht. **Pillar Plate** is **1.742** m. above below **C.S.**
15. Diff. Ht. **SSM 23197** is **0.064** m. above below **C.S.**
16. Diff. Ht. is m. above below

Prepared by: *[Signature]* Checked: _____

Date	Record of Station
Nov 77	Pillar Erected.

STATION TS ABERDEEN PILLAR

10463

Owners Name... Walker, Marks
 Current Occupant... Empty
 Address... Aberdeen
 Address... 23 - 11 - 77

Access
 Via

Footpath

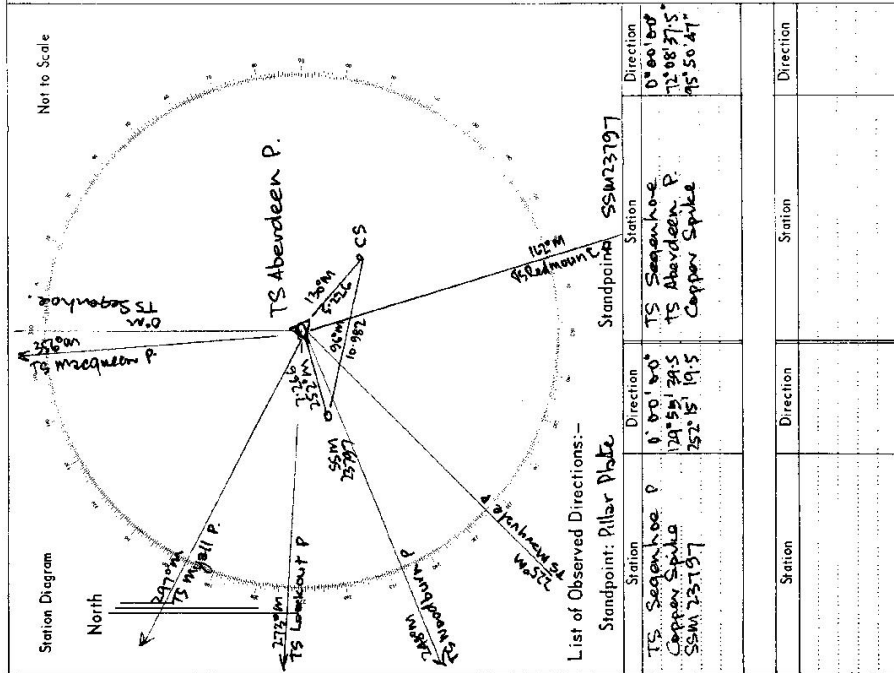
Approx 1 km south of Aberdeen P.O. on New England Hwy.
 Bridge over railway on east side of Hwy.

- 0.0 Railway bridge - cross railway and go east
- 0.3 Left into Greame St.
- 0.7 Iron Gates - entrance to Mead works.
- 0.8 Pass cattle ponds on LHS.
- 0.9 Iron Gate - turn right down lane way
- 1.4 Iron Gate.
- 1.5 Iron Gate - 180° turn right into paddock and work way over contain drains to TRG.

2.0

TRG.

Access by Conventional vehicle is deny



Department of Lands
 Reconnaissance and MAINTENANCE REPORT
 Integrity of N.S.W.

STATION TS ABERDEEN PILLAR (10463)
 Co: Brisbane Ph: Russell
 Map Sheet: Maxwellton
 No: 9033
 Inspected by: G. HESLHAM
 Date: 23-11-77
 Authority: ISD NICLE
 Field Book: PDP 958

This Trig. Station has been: completely cleared to permit 360° vision to surrounding Trigs. ✓
 Note: Cross out word or words which do not apply

1. Completely cleared to permit 360° vision to surrounding Trigs. ✓
2. Cleared by lenses-bearing from Trig-Mast
3. Trig. Mast & Vanes have been painted white & black respectively. ✓
4. The Trig. was unpiled/~~not~~ unpiled, dimensions now being: 1.52 m above G.L.

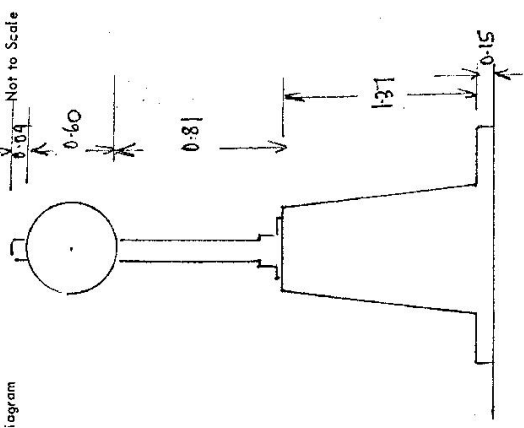
Description of mark: concrete pillar should be explicit, e.g. Steel plug, Brass plug, Bolr, Concrete Pillar
 Height of mark: 1.52 m above rock/concrete
 Height of Top Vanes to Top pillar plate: 1.41 m Diameter of Vanes (vertical): 0.60 m.
 Height of Cairn: 1.37 m. Diameter of Cairn: 0.81 m.
 Length of Mast: 1.50 m. (approximate if not unpiled)

5. A SSM 237197 set in conc/rock has been placed/at 7.246 m, bearing 252°M from Trig. Mast/pillar
6. A SSM 237197 set in conc/rock has been placed/at 5.226 m, bearing 130°M from Trig. Mast/pillar
7. A SSM 237197 set in conc/soil has been placed/at 0.000 m, bearing 0°M from Trig. Mast/pillar
8. A SSM 237197 set in conc/rock has been placed/at 0.000 m, bearing 0°M from Trig. Mast/pillar

9. Connection SSM 237197 to C.S. : 10.982 m, bearing 96°M
10. Connection to : 0.000 m, bearing 0°M
11. Connection to : 0.000 m, bearing 0°M

12. Connection to : 0.000 m, bearing 0°M
13. Diff. Ht. Pillar Plate is 1.802 m, above SSM 237197
14. Diff. Ht. Pillar Plate is 1.742 m, above C.S.
15. Diff. Ht. SSM 237197 is 0.064 m, above C.S.
16. Diff. Ht. is 0.000 m, above below

Prepared by: GA Checked: GA



Beacon Diagram

Date	Record of Station
Nov 77	Pillar Erected.

STATION TS ABERDEEN PILLAR

10463

Owners Name... Walker, Mervin

Address... Aberdeen

Current Occupant... Empty

Address... Aberdeen

Access 23-11-77
Van Postbox

Approx 1km south of Aberdeen P.O. on New England Hwy.
Bridge over railway on east side of Hwy.

- 0.0 Railway bridge - cross railway and go east
- 0.3 Left into Greasme St.
- 0.7 Iron Gate - entrance to meat works.
- 0.8 Pass cattle ponds on LHS.
- 0.9 Iron Gate - turn right down lane way
- 1.4 Iron Gate
- 1.5 Iron Gate - 1/2° turn right into paddock and work way over contour drains to TRIG.

2.0 TRIG.

Access by Conventional vehicle is deny

