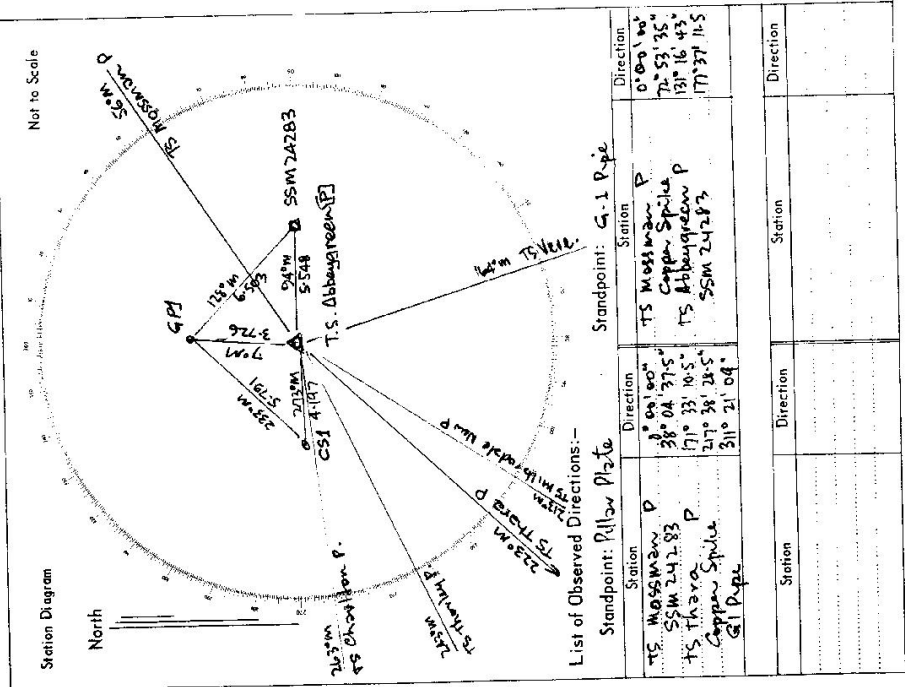


STATION TS ABBEYGREEN PILLAR

Owners Name.....
 Current Occupant.....
 Address.....
 Address.....

- Access Point
- 0.0 Swalston P.O. Travel south along Paddy Road.
 - 11.8 Downman - Jerry's Plain Road on right.
 - 12.05 Under Overhead bridge
 - 12.4 left onto gravel road.
 - 13.8 Take right fork, after double Iron Gates at Right-Angle Bend.
 - 13.85 left fork - tree with 82 I
 - 14.25 Iron Gate - turn right towards Stockyards.
 - 14.4 Take left track at fence line - fence on RHS.
 - 14.5 left fork.
 - 14.95 left fork. Dam wall - near left.
 - 15.1 Fence corner.
 - 15.4 Leave fence and take L.H fork.
 - 15.8 Iron gate (M) follow track with fence on RHS in NE direction
 - 16.1 Iron gate
 - 16.6 Iron gate
 - 16.7 TRIG.

(Conventional vehicle access)



75 16

Department of Lands **Non-Grade** RECONNAISSANCE and MAINTENANCE REPORT

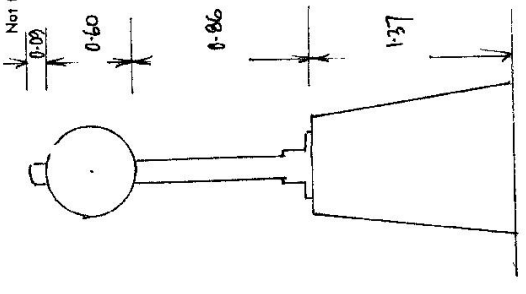
Integrative Survey of N.S.W.

STATION TS **ABBEX GREEN PILLAR (107162)**
 Co: **Northumberland** Pk: **Millington**
 Map Sheet: **BULGA** No: **9132**
 Inspected by: **ALGRAHAM** Date: **21/11/17**
 Authority: **ISD NICLAS** Field Book: **PD P 559**
 Beacon Diagram Not to Scale

This Trig. Station has been: Not to Scale

Note: Cross out word or words which do not apply

1. Completely cleared to permit 360° vision to surrounding Trigs. ✓
2. Cleared by James bearing from Trig. Mast
3. Trig. Mast & Vanes have been painted white & black respectively. ✓
4. The Trig. was unpiled/~~not unpiled~~, dimensions now being:
 - Description of mark: Concrete pillar should be explicit, e.g. Steel plug, Brass plug, Bolt, Concrete Pillar
 - Height of mark: 1.37 m ^{above} ~~below~~ rock/concrete G.L.
 - Height of Top Vanes to ~~Top Mast~~/Top pillar plate: 1.46 m Diameter of Vanes (vertical): 0.60 m.
 - Height of Cairn: 1.37 m. Diameter of Cairn: 33 x 55 m.
 - Length of Mast: 1.55 m. (approximate if not unpiled)
5. ~~ASSM 24283~~ set in conc./rock has been placed/~~to~~ 5.548 m. bearing 94 °M from Trig. Mast/pillar
6. ~~Copper Spile~~ set in conc./soil has been placed/~~to~~ 4.197 m. bearing 273 °M from Trig. Mast/pillar
7. ~~A.G.I.P.~~ set in ~~conc./soil~~ has been placed/~~to~~ 3.716 m. bearing 7 °M from Trig. Mast/pillar
8. ~~A.~~ set in conc./rock has been placed/~~to~~ m. bearing °M from Trig. Mast/pillar
9. Connection ~~G.I.P.~~ to ~~SSM~~ 6.503 m. bearing 129 °M
10. Connection ~~G.I.P.~~ to ~~C.S.~~ 5.791 m. bearing 233 °M
11. Connection to m. bearing °M
12. Connection to m. bearing °M
13. Diff. Ht. Pillar Plate is 1.991 m. ^{above} ~~below~~ SSM 24283
14. Diff. Ht. Pillar Plate is 1.438 m. ^{above} ~~below~~ C.S.
15. Diff. Ht. Pillar Plate is 1.468 m. ^{above} ~~below~~ G.I.P.
16. Diff. Ht. is m. ^{above} ~~below~~



Date: 21/11 Record of Station: Pillar erected.

Prepared by: [Signature] Checked: [Signature]

Department of Lands Integrating
RECONNAISSANCE and MAINTENANCE REPORT

STATION TS **ABBEYGREEN PILLAR (10462)**
 Co: **Norfolkumberland** Ph: **Willingham**
 Map Sheet: **Bulaga** No: **9132**
 Inspected by: **ALGraham** Date: **8/11/17**
 Authority: **ISD NOLE** Field Book: **DDP 559**

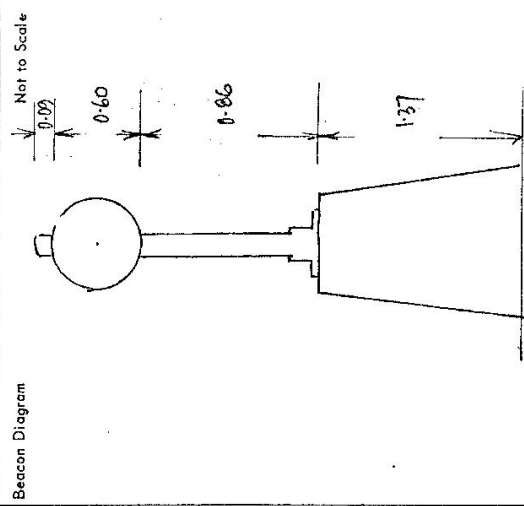
This Trig. Station has been: Not to Scale

- Note: Cross out word or words which do not apply
1. Completely cleared to permit 360° vision to surrounding Trigs.
 2. Cleared by ~~vanes~~ bearing ~~from Trig~~ Mast
 3. Trig. Mast & Vanes have been painted white & black respectively.
 4. The Trig. was unpiled/~~not unpiled~~, dimensions now being:

Description of mark: Concrete pillar should be explicit, e.g. Steel plug, Brass plug, Bolt, Concrete Pillar
 Height of mark: 1.27 m ^{above} ~~below~~ rock/concrete 1.27 m ^{above} ~~below~~ G.L.
 Height of Top Vanes to ~~Top Mark~~ Top pillar plate: 1.46 m Diameter of Vanes (vertical): 0.60 m.
 Height of Cairn: 1.37 m. Diameter of Cairn: 3 x .55 m.
 Length of Mast: 1.55 m. (approximate if not unpiled)

5. A SSWA 24283 set in conc/rock has been placed 5.548 m, bearing 94°M from Trig. Mast/pillar
6. A Corroy Spike set in conc/soil has been placed 4.197 m, bearing 273°M from Trig. Mast/pillar
7. A G.I.P. set in ~~conc~~ soil has been placed 3.726 m, bearing 7°M from Trig. Mast/pillar
8. A set in conc/rock has been placed m, bearing °M from Trig. Mast/pillar
9. Connection G.I.P. to SSWA : 6.583 m, bearing 129°M
10. Connection G.I.P. to C.S. : 5.791 m, bearing 233°M
11. Connection to : m, bearing °M
12. Connection to : m, bearing °M
13. Diff. Ht. Pillar Plate is 1.991 m, ^{above} ~~below~~ SSWA 24283
14. Diff. Ht. Pillar Plate is 1.438 m, ^{above} ~~below~~ C.S.
15. Diff. Ht. Pillar Plate is 1.468 m, ^{above} ~~below~~ G.I.P.
16. Diff. Ht. is m, ^{above} ~~below~~

Prepared by: Checked:



Date	Record of Station
<u>De 17</u>	<u>Pillar erected</u>

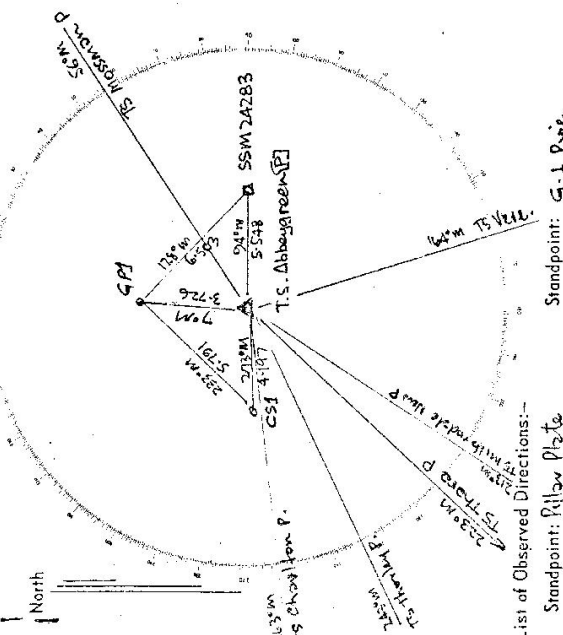
STATION TS 10462 ABBEYGREEN PULVER

Owners Name.....
Current Occupant.....

Address.....
Address.....

- Access 8/12/77
Vms. Pezhu
- 0-0 Swaleton P.O. Travel south along Pully Road.
 - 11-8 Donnan - Jerry's Plains Road on right.
 - 12-05 Under Overhead bridge
 - 12-4 left onto gravel road.
 - 13-8 Take right fork, after double Iron Gates at Right Angle Bend.
 - 13-85 left fork - tree with 82 I
 - 14-25 Iron Gate - turn right towards Stockyards.
 - 14-4 Take left track at fence line - fence on RHS.
 - 14-5 left fork
 - 14-95 left fork. Dam wall - near left.
 - 15-1 Fence corner.
 - 15-4 fence fence and take LH fork.
 - 15-8 Iron gate(?) Follow track with fence on RHS in NE direction
 - 16-1 Iron gate.
 - 16-6 Iron gate
 - 16-7 TRIG.

Station Diagram
North
Not to Scale



List of Observed Directions:-

Standpoint: Pully Plate

Station	Direction	Station	Direction
TS Mossburn P	310° 21' 09"	TS Mossburn P	0° 00' 10"
SSM 24283	270° 38' 28.5"	TS Thava P	72° 53' 35"
TS Thava P	170° 33' 10.5"	TS Abbagreen P	131° 16' 43"
TS Chavara P	38° 04' 37.8"	SSM 24283	177° 37' 11.5"
GPI	0° 00' 10"		

(Conventional vehicle access.)