

Department of Lands **Map Sheet: 9030** STATION **HORSLEY PARK PILLAR**

Integrat **INSPECTION** **RECONNAISSANCE and MAINTENANCE REPORT** **TS 10455**
 Co: **CUMBERLAND** Ph: **MELVILLE**
 Inspected by: **D. CUBIS** Date: **16.12.77**
 Authority: **DEPT. OF LANDS** Field Book:

This Trig. Station has been: completely cleared to permit 360° vision to surrounding Trigs.

1. Completely cleared to permit 360° vision to surrounding Trigs.
2. Cleared by lanes bearing from Trig. Mast
3. Trig. Mast & Vanes have been painted white & black respectively.
4. The Trig. was unpiled/not unpiled, dimensions now being:

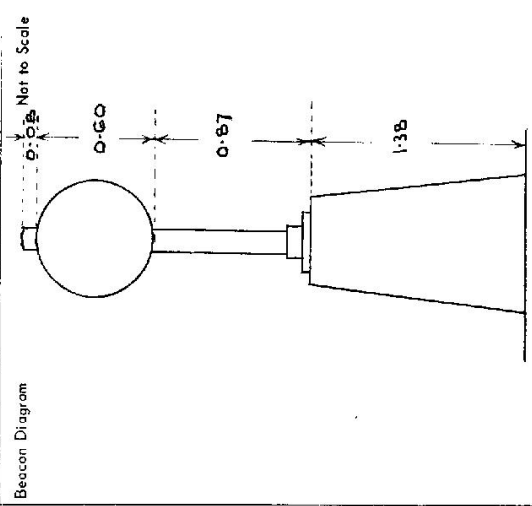
Description of mark: Concrete Pillar should be explicit, e.g. Steel plug, Brass plug, Bolt, Concrete Pillar
 Height of mark: 1.38 m above rock/concrete 0.38 m above G.L.
 Height of Top Vanes to Top Mark/Top pillar plate: 1.47 m Diameter of Vanes (vertical): 0.60 m.
 Height of Cairn: 0.00 m. Diameter of Cairn: 0.00 m.
 Length of Mast: 1.55 m. (approximate if not unpiled)

5. A set in conc./rock has been placed/fd 0.00 m. bearing 0.00 M from Trig. Mast/pillar
6. A set in conc./soil has been placed/fd 0.00 m. bearing 0.00 M from Trig. Mast/pillar
7. A set in conc./soil has been placed/fd 0.00 m. bearing 0.00 M from Trig. Mast/pillar
8. A set in conc./rock has been placed/fd 0.00 m. bearing 0.00 M from Trig. Mast/pillar

9. Connection: to 0.00 m. bearing 0.00 M
10. Connection: to 0.00 m. bearing 0.00 M
11. Connection: to 0.00 m. bearing 0.00 M
12. Connection: to 0.00 m. bearing 0.00 M

13. Diff. Ht. is 0.00 m. above below
14. Diff. Ht. is 0.00 m. above below
15. Diff. Ht. is 0.00 m. above below
16. Diff. Ht. is 0.00 m. above below

Prepared by: R. Cubis Checked: _____



Date	Record of Station
5.11.77	H. J. Given. Erection of concrete pillar
9.12.77	I. Carter. Erection of Mast & Vanes

