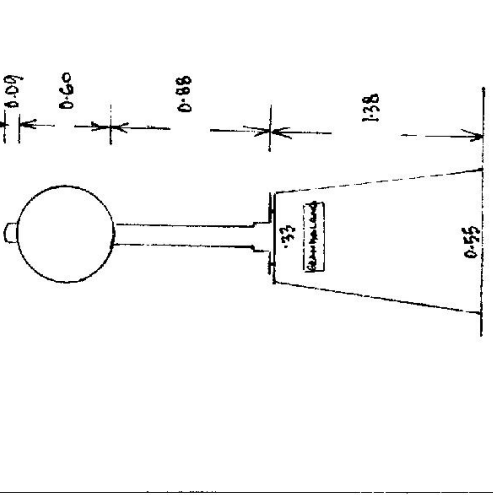


7-198

Department of Lands  
Integral Survey of N.S.W.  
RECONNAISSANCE and MAINTENANCE REPORT  
STATION TS GRANBALANG (P) 10450

Co: Durham  
Map Sheet: CESSNOOK  
No: 9132  
Date: 11.10.77  
Field Book: 008842  
Ph: Auckland  
Inspected by: P. McBeath  
Authority: ISD NOLE

Beacon Diagram  
Not to Scale



Date	Record of Station
4.10.77	Concrete Pillar Erected.

This Trig. Station has been:-

1. Completely cleared to permit 360° vision to surrounding trigs. ✓
2. Cleared by ~~vanes~~ bearing. ✓
3. Trig. Mast & Vanes have been painted white & black respectively. ✓
4. The Trig. was unpiled/~~not~~ completed, dimensions now being: ~~from Trig-Mast~~

Description of mark: ~~concrete pillar~~ ~~should be explicit, e.g. Steel plug, Brass plug, Bolt, Concrete Pillar~~  
 Height of mark: 1.38 m above ~~rock~~ concrete 1.38 m above G.L.  
 Height of Top Vanes to ~~Top Mast~~ ~~Top pillar plate~~ 1.48 m Diameter of Vanes (vertical) 0.60 m.  
 Height of ~~Cap~~ 1.38 m. Diameter of Cap 0.60 m.

5. A SSM 23827 set in conc/rock has been placed 4.940 m. bearing 85° from Trig. Mast/pillar
6. A Copper Spike set in conc/soil has been placed 1.951 m. bearing 147° from Trig. Mast/pillar
7. A set in conc/soil has been placed 1.47 m. bearing 147° from Trig. Mast/pillar
8. A set in conc/rock has been placed 1.47 m. bearing 147° from Trig. Mast/pillar

9. Connection SSM 23827 to C.S. 5.004 m. bearing 207°
10. Connection to m. bearing °M
11. Connection to m. bearing °M
12. Connection to m. bearing °M
13. Diff. Ht. Pillar Plate is 1.976 m. above SSM 23827
14. Diff. Ht. Pillar Plate is 1.940 m. above Copper Spike
15. Diff. Ht. SSM 23827 is 0.040 m. above Copper Spike
16. Diff. Ht. is m. above

Prepared by: *[Signature]* Checked: *[Signature]*

