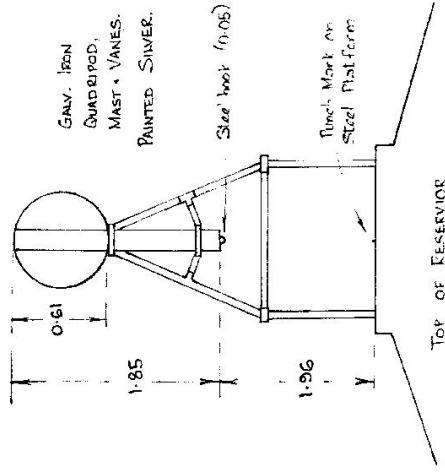


Department of Lands
 STATION **TS BROWN RESERVIOR**
 Co: **CAMDEN** Ph: **CALDERWOOD**
 Map Sheet: **DAPTO** No: **7377 1X**
 Inspected by: **L.G. TREVERROW** Date: **1-11-77**
 Authority: **INTEGRATION SURVEYS** Field Book: **MP 579**

Beacon Diagram
 Not to Scale



- Note: Cross out word or words which do not apply
- This Trig. Station has been:
1. Completely cleared to permit 360° vision to surrounding Trigs.
 2. ~~Cleared by James bearing~~ from Trig-Mast
 3. ~~Trig-Mast & Vanes have been painted white & black respectively.~~
 4. The Trig. was ~~erected~~/not unpled, dimensions now being:
 Description of mark **PUNCH MARK IN STEEL PLATFORM** should be explicit, e.g. Steel plug, Brass plug, Bolt, Concrete Pillar
 Height of mark..... **0.0**..... m ^{above} ~~below~~ **concrete** **10**..... m ^{above} ~~below~~ **G.L.**
 Height of Top Vanes to Top Mark/ ~~Top pillar plate~~ **3:81**..... m Diameter of Vanes (vertical) **0.61**..... m.
 Height of Cairn..... m. Diameter of Cairn..... m.
 Length of Mast..... **85**..... m. (approximate if not unpled)
 5. **CONC. PILLAR** set in ~~some~~/rock has been ~~placed~~/fd **21.243** m. bearing **206**.....°M from Trig. Mast/~~pillar~~
 6. **BRASS PIVOT** set in ~~conc/soil~~ has been ~~placed~~/fd **21.022** m. bearing **213**.....°M from Trig. Mast/~~pillar~~
 7. **A**..... set in ~~conc/soil~~ has been placed/fd..... m. bearing.....°M from Trig. Mast/~~pillar~~
 8. **A**..... set in ~~conc/rock~~ has been placed/fd..... m. bearing.....°M from Trig. Mast/~~pillar~~
 9. Connection **PILLAR** to **BRASS PIVOT** **10.862** m. bearing **298**.....°M
 10. Connection..... to..... m. bearing.....°M
 11. Connection..... to..... m. bearing.....°M
 12. Connection..... to..... m. bearing.....°M
 13. Diff. Ht. **CONCRETE PILLAR** is **6.15** m. ^{above} ~~below~~ **PUNCH MARK**.....
 14. Diff. Ht. **BRASS PIVOT** is **6.74** m. ^{above} ~~below~~.....
 15. Diff. Ht. is..... m. ^{above} ~~below~~.....
 16. Diff. Ht. is..... m. ^{above} ~~below~~.....
- Prepared by: **L.G. TREVERROW** Checked: **ET**

Date	Record of Station
	CONDUCTED BY M.W.S. & D.B.

STATION TS BROWN RESERVOIR

TS 10448

Current Occupant.....

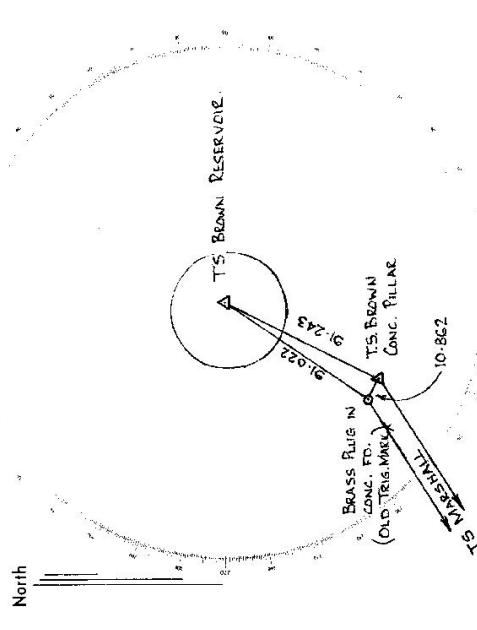
Owners Name: M.W.S. D.P.

Address.....

86 CROWN ST.
WOLLONGONG, 2500.

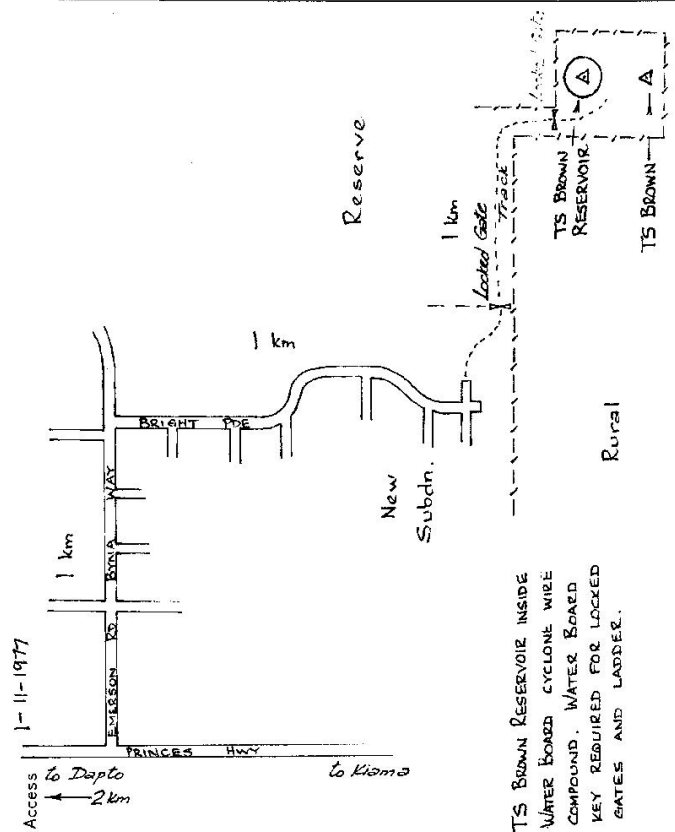
Not to Scale

Station Diagram



List of Observed Directions:-

Station	Direction	Station	Direction
TS BROWN (PILLAR)	0 00 00	TS MARSHALL	0 00 00
BRASS FLUG	6 49 36	TS BROWN RESERV	154 40 22
		TS BROWN	242 26 18
TS BROWN (PILLAR)			
TS MARSHALL	0 00 00		
BRASS FLUG	62 21 14		
TS BROWN RESERV	147 45 43		



TS BROWN RESERVOIR INSIDE WATER BONDED CYCLONE WIRE COMPOUND. WATER BOARD KEY REQUIRED FOR LOCKED GATES AND LADDER.

Rural

D. West, Government Printer, New So Wales - 1976