

CENTRAL MAPPING AUTHORITY
Department of Lands

Trigonometrical Survey of N.S.W.

RECONNAISSANCE and MAINTENANCE REPORT 10437 STATION CHATHAM 1 (P) TS 10437

This Trig. Station has been:-

1. Completely cleared to permit 360° vision to surrounding Trigs.
2. Cleared by lanes bearing..... from Trig. Mast
3. Trig. Mast & Vanes have been painted white & black respectively.
4. The Trig. was unpiled/not unpiled, dimensions now being:

Description of mark Pillar Plate..... should be explicit, e.g. Steel plug, Brass plug, Bolt, G.I. Pipe
 Height of mark..... m ^{above} rock/concrete m ^{below} G.I.
 Height of Top Vanes to Top Mark 1.58 m. Diameter of Vanes (vertical) 60 m.
 Height of Cairn..... m. Diameter of Cairn..... m.
 Length of Mast 1.66 m. (approximate if not unpiled)

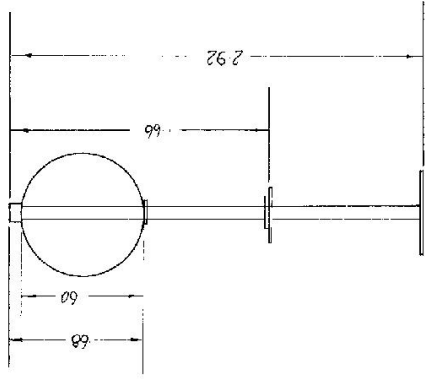
5. A..... set in conc/rock has been placed..... m. bearing.....°M from Trig. Mast
6. A..... set in conc/soil has been placed..... m. bearing.....°M from Trig. Mast
7. A..... set in conc/soil has been placed..... m. bearing.....°M from Trig. Mast
8. A..... set in conc/rock has been placed..... m. bearing.....°M from Trig. Mast
9. Connection..... to..... m. bearing.....°M
10. Connection..... to..... m. bearing.....°M
11. Connection..... to..... m. bearing.....°M
12. Connection..... to..... m. bearing.....°M
13. Diff. Ht. is..... m. ^{above} below
14. Diff. Ht. is..... m. ^{above} below
15. Diff. Ht. is..... m. ^{above} below
16. Diff. Ht. is..... m. ^{above} below

Prepared by: _____ Checked: _____

Noted on U.T.M. Card

Co: MACQUARIE
 Map Sheet: TAREE
 Inspected by: P.R. HELDON.
 Authority: LANDS DEPARTMENT

Beacon Diagram
 Not to Scale



Date: Jun 76
 Record of Station: Erected by Manning River County Council to centre of reservoir roof
 10-8-77 Observations started out

