

75-193

Integration of N.S.W.

Department of Lands

RECONNAISSANCE and MAINTENANCE REPORT IO433

STATION WAUGHOPPE (P)

TS 10433

This Trig. Station has been: *Integration of N.S.W.*

Co: **Koree** Pht: **Macquarie**

Map Sheet: **Waughope 1:25000** No: **9035-III-9**

Inspected by: **P.R. Heldorf** Date: **6-7-76**

Authority: **Field Book:**

Beacon Diagram: **Not to Scale**

1. Completely cleared to permit 360° vision to surrounding Trigs.

2. ~~Cleared by vanes-bearing~~ *from Trig. Mast*

3. Trig. Mast & Vanes have been painted white & black respectively.

4. The Trig. was unpiled/not unpiled, dimensions now being:

Description of mark: **Steel Pillar** should be explicit, e.g. Steel plug, Brass plug, Bolt, Concrete Pillar

Height of mark: *m above below* rock/concrete *m above below* G.L.

Height of Top Vanes to Top Mark/Top pillar plate: **1.454** m Diameter of Vanes (vertical): **0.594** m.

Height of Cairn: *m* Diameter of Cairn: *m*.

Length of Mast: **1.534** m. (approximate if not unpiled)

5. A. *set in conc/rock has been placed/td* *m. bearing* *°M* from Trig. Mast/pillar

6. A. *set in conc/soil has been placed/td* *m. bearing* *°M* from Trig. Mast/pillar

7. A. *set in conc/soil has been placed/td* *m. bearing* *°M* from Trig. Mast/pillar

8. A. *set in conc/rock has been placed/td* *m. bearing* *°M* from Trig. Mast/pillar

9. Connection: *to* *m. bearing* *°M*

10. Connection: *to* *m. bearing* *°M*

11. Connection: *to* *m. bearing* *°M*

12. Connection: *to* *m. bearing* *°M*

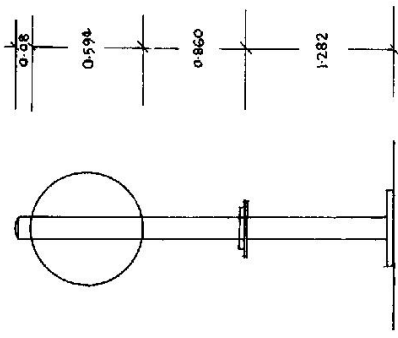
13. Diff. Ht. *is* *m. above below*

14. Diff. Ht. *is* *m. above below*

15. Diff. Ht. *is* *m. above below*

16. Diff. Ht. *is* *m. above below*

Prepared by: *Checked:*



Date: **1-7-76** Record of Station

Elevated beacon erected on platform

