

CENTRAL MAPPING AUTHORITY
Department of Lands

Trigonometric Survey of N.S.W.

RECONNAISSANCE and MAINTENANCE REPORT 10429 STATION CUNDLETOW, (F) 10429 TS.

This Trig. Station has been:-

Note: Cross out word or words which do not apply

1. Completely cleared to permit 360° vision to surrounding Trigs.
2. Cleared by lanes bearing..... from Trig. Mast
3. Trig. Mast & Vanes have been painted white & black respectively.
4. The Trig. was unpiled/not unpiled, dimensions now being:

Description of mark..... should be explicit, e.g. Steel plug, Brass plug, Bolt, G.I. Pipe
 Height of mark..... m above rock/concrete m above G.L.
 Height of Top Vanes to Top Mark, 1.41 m. Diameter of Vanes (vertical) 0.05 m.

Height of Cairn..... m. Diameter of Cairn..... m.

Length of Mast 1.49 m. (approximate if not unpiled)

5. A..... set in conc/rock has been placed..... m. bearing.....°M from Trig. Mast
6. A..... set in conc/soil has been placed..... m. bearing.....°M from Trig. Mast
7. A..... set in conc/soil has been placed..... m. bearing.....°M from Trig. Mast
8. A..... set in conc/rock has been placed..... m. bearing.....°M from Trig. Mast

9. Connection..... to..... m. bearing.....°M

10. Connection..... to..... m. bearing.....°M

11. Connection..... to..... m. bearing.....°M

12. Connection..... to..... m. bearing.....°M

13. Diff. Ht. is..... m. above below

14. Diff. Ht. is..... m. above below

15. Diff. Ht. is..... m. above below

16. Diff. Ht. is..... m. above below

Prepared by:

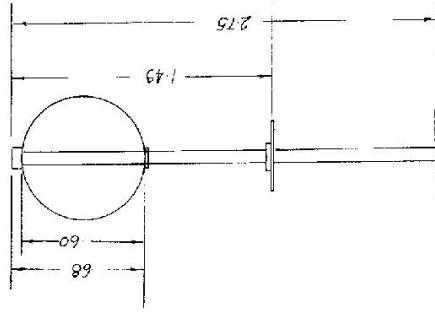
Checked:

Noted on U.T.M. Card

Co: Macquarie
 Map Sheet: Cundletown
 Inspected by: P. P. Helderby
 Authority: LANDS DEPARTMENT
 No: 9034-11-9
 Date: Jan 1976
 Field Book: 10429/1/3

Beacon Diagram

Not to Scale



Date

Jan 76

Record of Station

Erected in centre of reservoir roof
 257-77 (before station movement)

Checked

