

T.S. 10428

75-103

Department of Lands

Integration of N.S.W.

RECONNAISSANCE and MAINTENANCE REPORT

This Trig. Station has been:-

Note: Cross out word or words which do not apply

1. ~~Completely cleared to permit 360° vision to surrounding Trig.~~
2. Cleared by lances bearing ~~135° M., 215° M., 315° M., 307° M., 30° M.~~ from Trig. Mast
3. Trig. Mast & Vanes have been painted white & black respectively.
4. The Trig. was ~~unpiled/not-unpiled~~, dimensions now being:

Description of mark: ~~Pillar. Pole.~~ should be explicit, e.g. Steel plug, Brass plug, Brass pillar, Bolt/Concrete Pillar

Height of mark: ~~..... m above below~~ rock/concrete ~~..... m above below~~ G.L.

Height of Top Vanes to ~~Top Mast/~~Top pillar plate 1.44 m Diameter of Vanes (vertical) 0.60 m.

Height of Cairn 1.36 m. Diameter of Cairn

Length of Mast 1.53 m. (approximate if not unpiled)

5. A. set in conc/rock has been placed/fd m. bearing°M from Trig. Mast/pillar
6. A. set in conc/soil has been placed/fd m. bearing°M from Trig. Mast/pillar
7. A. set in conc/soil has been placed/fd m. bearing°M from Trig. Mast/pillar
8. A. set in conc/rock has been placed/fd m. bearing°M from Trig. Mast/pillar

9. Connection to m. bearing°M

10. Connection to m. bearing°M

11. Connection to m. bearing°M

12. Connection to m. bearing°M

13. Diff. Ht. is m. ^{above} _{below}

14. Diff. Ht. is m. ^{above} _{below}

15. Diff. Ht. is m. ^{above} _{below}

16. Diff. Ht. is m. ^{above} _{below}

Prepared by:

Checked:

STATION TS 10428 WARRELL (P)

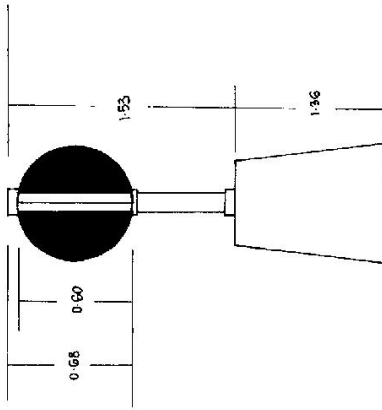
Co: Raleigh Ph: Warrell

Map Sheet: Eungai No. 9436-11-N

Inspected by: P. R. Heldorn Date: May 1976

Authority: Field Book:

Beacon Diagram Not to Scale



Date Record of Station

May 76 Erected

T.S. 10428 STATION 1 / TS 10428 WARRELL (P)

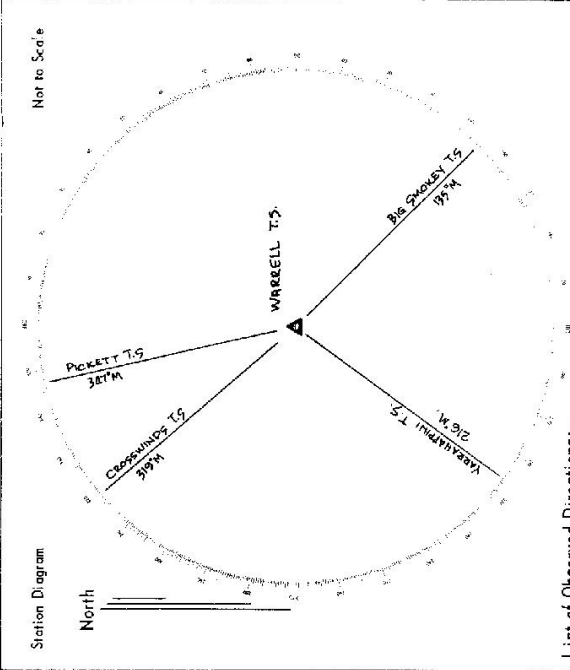
Previously known as, SCOTT'S, MT.
 Current Occupant

Owners Name: Forestry Commission

Address

Access May 1976

From Mansfield P.O. proceed south 4.4 km to Scotts Head road, turn right and proceed 9.7 km to Grassy Head Road, turn right and proceed for 1.1 km to track on right, follow track to top of hill and Trig 2.0 km.



List of Observed Directions:-

Standpoint:	
Station	Direction
Standpoint:	
Station	Direction