

7-19 3

Integration of N.S.W.

Department of Lands

RECONNAISSANCE and MAINTENANCE REPORT 10363

STATION PT MACQUARIE RESERVOIR (P)

This Trig. Station has been:-

Note: Cross out word or words which do not apply

1. Completely cleared to permit 360° vision to surrounding Trigs.
2. Cleared by ~~lines-bearing~~ ~~from-Trig-Mast~~
3. Trig. Mast & Vanes have been painted white & black respectively.
4. The Trig. was ~~re-applied~~ ~~rest-applied~~, dimensions now being:
 - Description of mark: ~~Pillar~~ ~~Plate~~ should be explicit, e.g. Steel plug, Brass plug, Bolt, Concrete Pillar
 - Height of mark: ~~..... m~~ ^{above} ~~..... m~~ _{below} rock, concrete ~~..... m~~ ^{above} ~~..... m~~ _{below} G.L.
 - Height of Top Vanes to ~~Top~~ ~~Mark~~ ~~Top~~ pillar plate: 1.405 m Diameter of Vanes (vertical): 0.6..... m.
 - Height of Cairn: m. Diameter of Cairn: m.

Length of Mast 1.485 m. (approximate if not unplied)

5. A..... set in conc/rock has been placed/fd m. bearing.....°M from Trig. Mast/pillar
6. A..... set in conc/soil has been placed/fd m. bearing.....°M from Trig. Mast/pillar
7. A..... set in conc/soil has been placed/fd m. bearing.....°M from Trig. Mast/pillar
8. A..... set in conc/rock has been placed/fd m. bearing.....°M from Trig. Mast/pillar

9. Connection..... to..... m. bearing.....°M
10. Connection..... to..... m. bearing.....°M
11. Connection..... to..... m. bearing.....°M
12. Connection..... to..... m. bearing.....°M

13. Diff. Ht. is..... m. ^{above} ~~..... m.~~ _{below}
14. Diff. Ht. is..... m. ^{above} ~~..... m.~~ _{below}
15. Diff. Ht. is..... m. ^{above} ~~..... m.~~ _{below}
16. Diff. Ht. is..... m. ^{above} ~~..... m.~~ _{below}

Prepared by: Checked:

Co: Macquarie Ph: Macquarie

Map Sheet: Part Macquarie

No: 9435-11-9

Inspected by: Peter Heldon

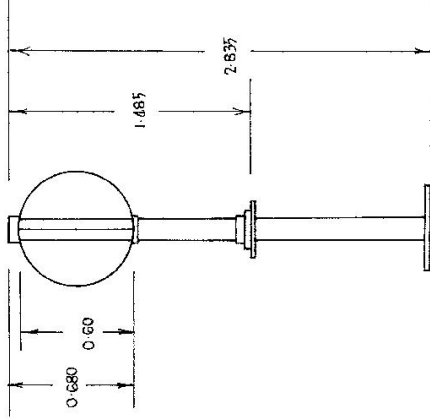
Date: 1-7-77

Authority: Lands

Field Book:

Beacon Diagram

Not to Scale



Date

Record of Station

1-7-77 Erected

