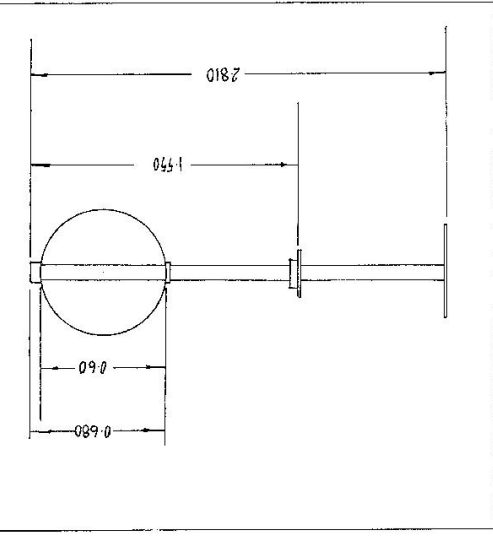


7-193

Department of Lands Integration: Survey of N.S.W.
RECONNAISSANCE and MAINTENANCE REPORT 10361 STATION **AKUNA PT'S. (Elevated beacon)** 10361

Co. Macquarie **Ph:** Macquarie.
Map Sheet: Port Macquarie **No:** 9035-11-9.
Inspected by: P.R. Heldon. **Date:** May 77
Authority: Lands **Field Book:**

Beacon Diagram Not to Scale



Date	Record of Station
May 77	Erected.

This Trig. Station has been:- Note: Cross out word or words which do not apply

1. Completely cleared to permit 360° vision to surrounding Trigs.
2. ~~Cleared by James-bearing~~ ~~from Trig-Mast~~
3. Trig. Mast & Vanes have been painted white & black respectively.
4. The Trig. was ~~unpiled/mast-unpiled~~, dimensions now being:

Description of mark: Pillar, Plate should be explicit, e.g. Steel plug, Brass plug, Bolt, Concrete Pillar
 Height of mark: m ^{above} / m _{below} rock/concrete G.L.
 Height of Top Vanes to ~~Top-Mark/~~Top pillar plate 1.47 m Diameter of Vanes (vertical) 0.6 m.
 Height of Cairn m. Diameter of Cairn m.

- Length of Mast 1.950 m. (approximate if not unpiled)
5. A set in conc/rock has been placed/fd m. bearing °M from Trig. Mast/pillar
 6. A set in conc/soil has been placed/fd m. bearing °M from Trig. Mast/pillar
 7. A set in conc/soil has been placed/fd m. bearing °M from Trig. Mast/pillar
 8. A set in conc/rock has been placed/fd m. bearing °M from Trig. Mast/pillar

9. Connection to : m. bearing °M
10. Connection to : m. bearing °M
11. Connection to : m. bearing °M
12. Connection to : m. bearing °M
13. Diff. Ht. is m. ^{above} / m. _{below}
14. Diff. Ht. is m. ^{above} / m. _{below}
15. Diff. Ht. is m. ^{above} / m. _{below}
16. Diff. Ht. is m. ^{above} / m. _{below}

Prepared by: Checked:

