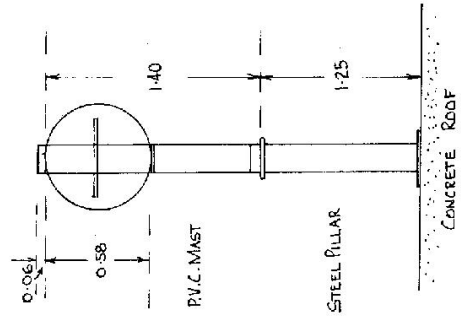


75-10359

Department of Lands Integration of N.S.W.
RECONNAISSANCE and MAINTENANCE REPORT

STATION **TS WEST CLIFF (P) 10359**
 Co: **CUMBERLAND** Ph: **WEDDERBURN**
 Map Sheet: **STOKES CREEK** No: **8207**
 Inspected by: **L.G. TREVERROW** Date: **17-1-77**
 Authority: **DEPARTMENT OF LANDS** Field Book: **PDP 793**

Beacon Diagram Not to Scale



This Trig. Station has been: Note: Cross out word or words which do not apply

1. Completely cleared to permit 360° vision to surrounding Trigs.
2. ~~Cleared by James bearing~~ from Trig. Mast
3. Trig. Mast & Vanes have been painted white & black respectively.
4. ~~The Trig. was emptied, not emptied, dimensions now being~~

Description of mark **ROOFTOP PILLAR** should be explicit, e.g. Steel plug, Brass plug, Bolt, Concrete Pillar
 Height of mark **1.25** m above rock/concrete
 Height of Top Vanes to Top Mark/Top pillar plate **1.40** m Diameter of Vanes (vertical). 0.58 m.
 Height of Centre Diameter of Centre
 Length of Mast (approximate if not applied)

5. A. set in conc/rock has been placed/id m. bearing °M from Trig. Mast/pillar
6. A. set in conc./soil has been placed/id m. bearing °M from Trig. Mast/pillar
7. A. set in conc./soil has been placed/id m. bearing °M from Trig. Mast/pillar
8. A. set in conc/rock has been placed/id m. bearing °M from Trig. Mast/pillar

9. Connection to m. bearing °M
10. Connection to m. bearing °M
11. Connection to m. bearing °M
12. Connection to m. bearing °M
13. Diff. Ht. is m. above m. below
14. Diff. Ht. is m. above m. below
15. Diff. Ht. is m. above m. below
16. Diff. Ht. is m. above m. below

Prepared by: **L.G. TREVERROW** Checked: J.M. LEAN 20/6/77

Date	Record of Station
SEP 1976	PILLAR ERECTED BY WEST CLIFF MINE

STATION TS WEST CLIFF (P) 10359

Current Occupant.....

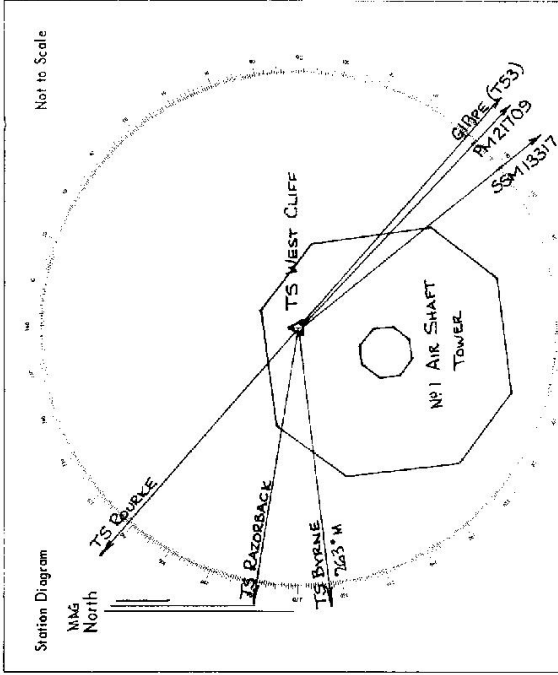
Owners Name: WEST CLIFF COLLIERY

Address.....

Address: WEDDERBURN RD.

APPIN.....

17-1-1977
 ACCESS FROM THE INTERSECTION OF APPIN & WILTON RDS. APPIN, EAST ALONG APPIN RD. 6.2 KM TO WEDDERBURN RD. NORTH ALONG WEDDERBURN RD. 2.1 KM TO WEST CLIFF COLLIERY (NORTH SITE) NO 1 AIR SHAFT TOWER. ACCESS VIA AIR LOCKS, LIFT AND LADDERS TO ROOF. (ENQUIRE FIRST AT ADMIN. OFFICE 1.7 KM SOUTH FOR PERMISSION.)



List of Observed Directions:-

Standpoint: TS WEST CLIFF		Standpoint:	
Station	Direction	Station	Direction
TS BYRNE	0 00 00	SSM 13317	238 56 02
TS RAZORBACK	16 34 10		
TS BOURNE	48 02 53		
GILPE TSS	228 56 34		
PM 21709	230 33 00		
Station	Direction	Station	Direction

