

7/10/1

Department of Land's  
 This Trig. Station has been:-

Integr. Survey of N.S.W.  
 RECONNAISSANCE and MAINTENANCE REPORT

STATION **T.S. POLWARA PILLAR 10356**  
 Co: **Northumberland** Ph: **Middleknap**  
 Map Sheet: **Meadville** No: **5480**  
 Inspected by: **P. MCHUGH** Date: **23.5.17**  
 Authority: **I.S.D. N.Z.L.E.** Field Book: **PDP 844**  
 Beacon Diagram Not to Scale

Note: Cross out word or words which do not apply

1. Completely cleared to permit 360° vision to surrounding Trigs. ✓
2. Cleared by ~~lines-bearing~~ **from Trig Mast**
3. Trig. Mast & Vanes have been painted white & black respectively. ✓
4. The Trig. was unpiled/~~not unpiled~~, dimensions now being:

Description of mark **steel roof-top beacon** should be explicit, e.g. Steel plug, Brass plug, Botl, Concrete Pillar

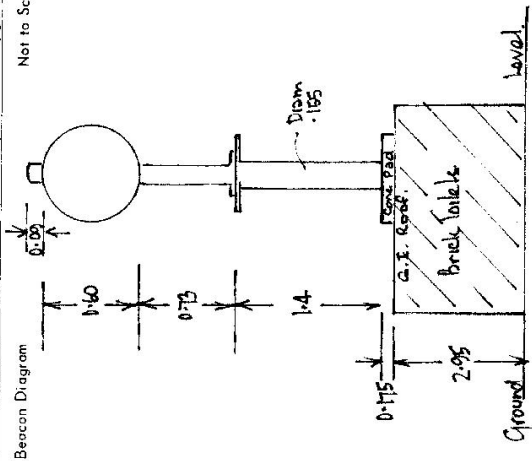
Height of mark ~~.....~~ **4.53** m above ~~.....~~ **G.L.**  
 Height of Top Vanes to ~~Top Mast~~ **rock concrete** Top pillar plate **1.33** m Diameter of Vanes (vertical) **0.60** m.

Height of Centre ~~.....~~ Diameter of Centre ~~.....~~  
 Length of Mast **1.42** m. (approximate if not unpiled)

5. A..... set in conc/rock has been placed/fd ..... m. bearing .....°M from Trig. Mast/pillar
6. A..... set in conc/soil has been placed/fd ..... m. bearing .....°M from Trig. Mast/pillar
7. A..... set in conc/soil has been placed/fd ..... m. bearing .....°M from Trig. Mast/pillar
8. A..... set in conc/rock has been placed/fd ..... m. bearing .....°M from Trig. Mast/pillar

9. Connection..... to..... m. bearing .....°M
10. Connection..... to..... m. bearing .....°M
11. Connection..... to..... m. bearing .....°M
12. Connection..... to..... m. bearing .....°M
13. Diff. Ht. .... is..... m. above/below
14. Diff. Ht. .... is..... m. above/below
15. Diff. Ht. .... is..... m. above/below
16. Diff. Ht. .... is..... m. above/below

Prepared by: **CSA** Checked: **PAW 24.6.17**



Date **21/5/17** Record of Station **Steel Roof-top Beacon erected on Table Top.**

STATION TS. BOLL CA PILLAR 10356

Owners Name: Maitland City Council Current Occupant: Maitland City Council

Address: Council Chambers Address: Maitland

Access: 23-5-1977

Km: Fezale

0.0: New England Highway at Maitland P.O.

0.65: Travel towards Singleton on New England Hwy.

0.85: Turn right at traffic signals - sign "Bolwarra"

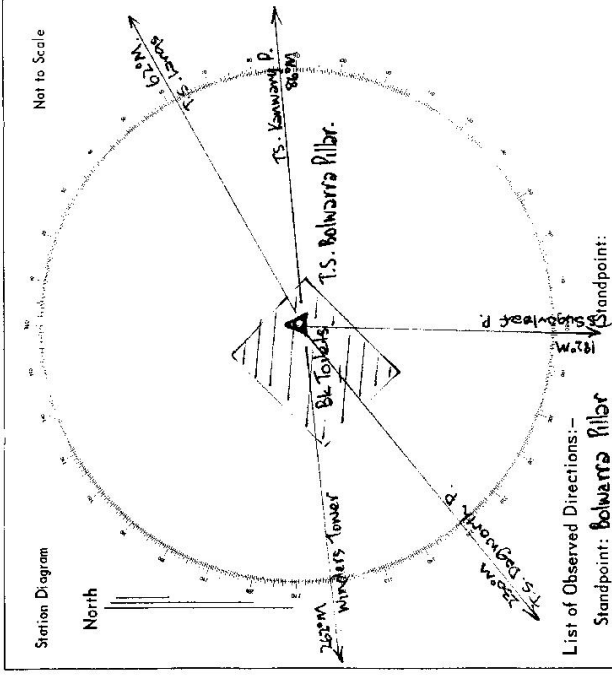
3.3: Cross "Bolwarra Bridge" - follow main road towards Bolwarra.

5.25: Turn right past school.

Turn right into Lookout picnic area.

Trig is on bridge Toilet Block.

Access by bitumen roads.



List of Observed Directions:-  
Standpoint: Bolwarra Pillar

Station	Direction	Station	Direction
TS. Lamps	0° 00' 00"		
TS. Kenway P.	24° 14' 32.75"		
TS. Sugarloaf P.	155° 23' 36.58"		
TS. Deewort P.	199° 36' 01.50"		
Winders Tower	202° 55' 02.00"		
Station	Direction	Station	Direction

CENTRAL MAPPING AUTHORITY  
 GEOBETIC SURVEY OF M.S.W  
 GEOBETIC STATION RECONNAISSANCE and MAINTENANCE REPORT

STATION: **BOLNARRA TS.** No.: **10356**

MAP SHEET  
 SCALE 1:250 000

INSPECTED BY: **P OKANE** DATE: **9/07/1990**

AUTHORITY: **LANDS DEPT** FIELD BOOK: **477/3**

Description: *Note: Cross out word or words which do not apply*

1. Cleared by lanes bearing..... from Trig. Mast
2. Mast & Vanes have been painted white & black respectively.
3. The station/pillar was unpiled/not unpiled/constructed on.....19....., dimensions now being:  
 Description of mark.....should be explicit, e.g., S/Steel Pillar Plate, Steel plug, Brass plug, Bolt, G.I. Pipe  
 Height of mark.....m. <sup>above</sup> rock/concrete; Mark is.....m. <sup>above</sup> G.L.
- Height of Top Vanes to Top Mark/Pillar plate.....m. Diameter of Vanes (vertical).....m.
- Height of Cairn.....m. Diameter of Cairn.....m. Name Plate found/not found/placed.
- Length of Mast.....m. (approximate if not unpiled)
4. A.....set in conc/rock has been placed/found, bearing.....° M from Mast/Plug/Pillar
5. A.....set in conc/rock has been placed/found, bearing.....° M from Mast/Plug/Pillar
6. A.....set in conc/rock has been placed/found, bearing.....° M from Mast/Plug/Pillar
7. A.....set in conc/rock has been placed/found, bearing.....° M from Mast/Plug/Pillar
8. Action required.....  
 NEW MAST \$ VANE HEIGHT

STANDPOINT:

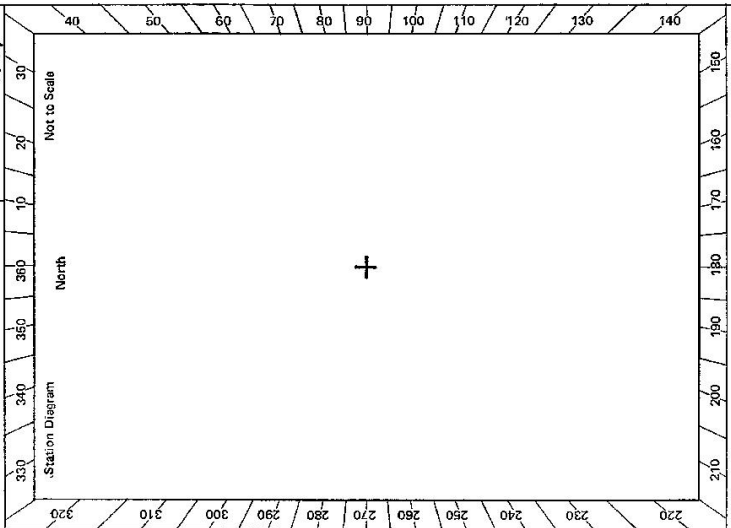
Mark	Direction	Horiz. Distance	Height Difference	Mark	Direction	Horiz. Distance	Height Difference
			above standpt				above standpt
			below				below
			above standpt				above standpt
			below				below
			above standpt				above standpt
			below				below
			above standpt				above standpt
			below				below
			above standpt				above standpt
			below				below
			above standpt				above standpt
			below				below

Prepared by: *[Signature]*

Checked: *[Signature]*

ST 2733-1

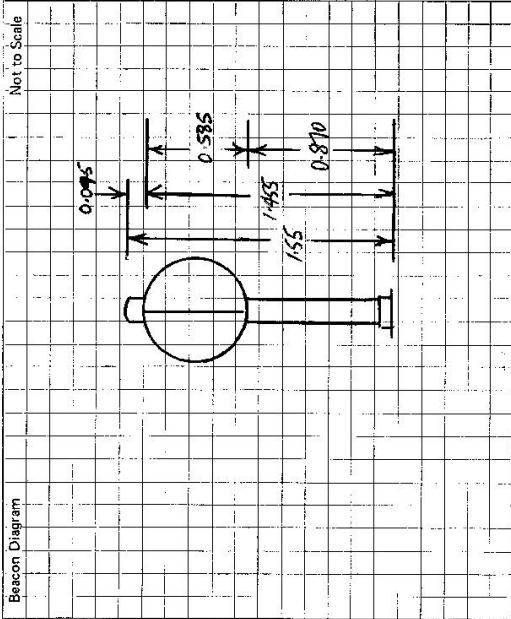
Noted on U.T.M. Card



STATION **Box WARE T.S. 10356**

Owner's Name: .....  
 Address: .....  
 Phone: .....  
 Current Occupant: .....  
 Address: .....  
 Phone: .....

9-5-1990  
 Access Report of Access was found suitable/unavailable



This section to be completed by officer constructing pillar.

Original station mark found/not found. Roof top Pillar with Pillar Post

Description of mark: Plastic Mast with Metal Vanes

Original beacon found/~~not found~~ & Replaced

Description of beacon: Plastic Mast with Metal Vanes

Height Top of Vanes to Top Mark: 1.455 m.

Height of mark:  above G.L.  below

Diameter of Vanes 0.585 m.

Height of Cairn  m.

Original Beacon has/has not been destroyed by ma.

Date 9/07/90 Record of Station New Mast & Vanes to Replace old one replaced at Flag