

RECONNAISSANCE and MAINTENANCE REPORT

STATION WARRIGAL TS 10355 (P)

This Trig. Station has been:-

Note: Cross out word or words which do not apply

1. ~~Completely cleared to permit 360° vision to surrounding Trig.~~
2. Cleared by lances bearing (true) S. 45° E. 56' 70" 798' 199" 178' 266' 250" from Trig. Mast
3. ~~Trig. Mast & Vane have been painted white & black respectively. VANE IS ORANGE, MAST & STRUCTURE ARE GREEN~~

4. The Trig. was unpiled/~~unpiled~~, dimensions now being: Original Station Mark found / ~~not found~~

Description of mark: ~~STEEL OBSERVING PIPER~~ should be explicit, e.g. Steel plug, Brass plug, Bolt, G.I. Pipe  
CENTRE MT. WARRIGAL RES.

Height of mark: ..... m above rock/concrete ..... m above G.L.  
Height of Top Vanes to Top Mark 2.54 ..... m Diameter of Vanes (vertical) 0.50 ..... m.

Height of Cairn ..... m Diameter of Cairn ..... m.  
Length of Mast ..... m, (approximate if not unpiled)

5. A. .... set in conc/rock has been placed ..... m. bearing ..... °M from Trig. Mast
6. A. .... set in conc/soil has been placed ..... m. bearing ..... °M from Trig. Mast
7. A. .... set in conc/soil has been placed ..... m. bearing ..... °M from Trig. Mast
8. A. .... set in conc/rock has been placed ..... m. bearing ..... °M from Trig. Mast

9. Connection ..... to ..... m. bearing ..... °M

10. Connection ..... to ..... m. bearing ..... °M

11. Connection ..... to ..... m. bearing ..... °M

12. Connection ..... to ..... m. bearing ..... °M

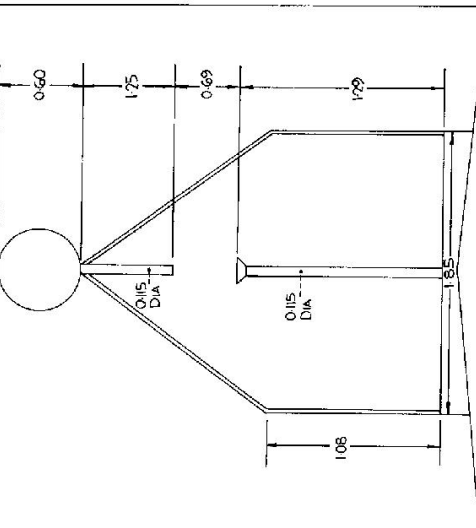
13. Diff. Ht. .... is ..... m. above below

14. Diff. Ht. .... is ..... m. above below

15. Diff. Ht. .... is ..... m. above below

16. Diff. Ht. .... is ..... m. above below

Co: CAMDEN Ph: TERRAGONG  
Map Sheet: LAKE ILLAWARRA 1:10000 No: W 8270  
Inspected by: W.F. GREGORY Date: 9-8-79  
Authority: M.W.S.E.D.B. Field Book: 5500  
P87-124



Beacon Diagram

Not to Scale

Date	Record of Station

Prepared by: U. TEMPLEMAN Checked: *[Signature]* 167-87-107 Noted on U.T.M. Card

Checked

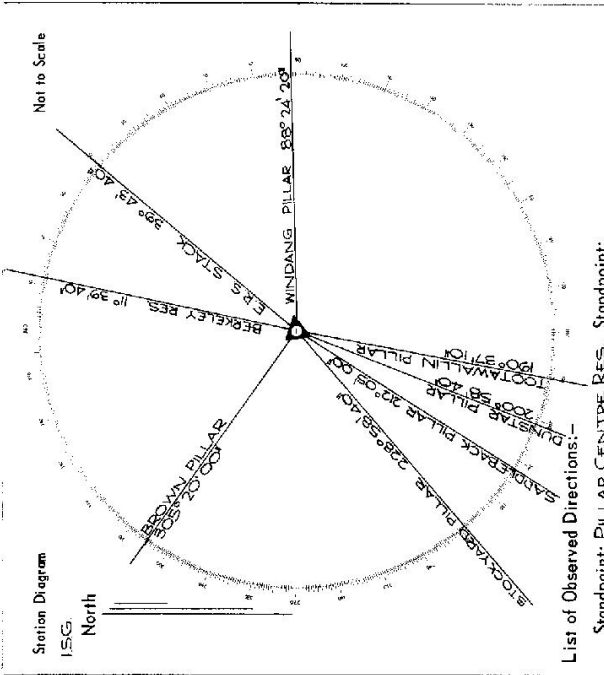
**STATIONS WARRIGAL 10° 5 (P) TS 10355**

Owners Name: M.W.S.S.D.B. ....  
 Current Occupant: M.W.S.S.D.B. ....  
 Address: Cnr. Pitt. & Bathurst  
 SITS: SYDNEY

Access 00 00  
 1-0 1-0  
 2-0 2-0  
 2-9 2-9  
 3-1 3-1  
 3-2 3-2

**9-8-1979**

DIRECTION  
 GOING SOUTH ALONG SHELLHARBOUR RD TO LAKE ILLAWARRA TAKE  
 FIRST TURN RIGHT AFTER WINDANG BRIDGE (REDDALL POE)  
 LEFT INTO KONRADS RD  
 LEFT INTO LANDY DR.  
 RIGHT INTO CUTHBERT DR (MT WARRIGAL REST HOME SIGN)  
 LEFT INTO ROLAND AVE.  
 JUST PAST MT WARRIGAL REST HOME BRANCH OFF TO RIGHT ALONG  
 WATER BOARD TRACK  
 RESERVOIR ACCESS TO TRIG. BY STEPS UP RES.



List of Observed Directions -

Standpoint: PILLAR CENTRE RES. Standpoint: Station

Station	Direction	Station	Direction
E.R.S. STACK	10° 00' 00"	STOCKYARD PILLAR	189° 15' 00"
WINDANG PILLAR	48° 40' 40"	BROWN PILLAR	205° 20' 20"
TOOTAWALLIN PILLAR	150° 43' 30"	BERKELEY RES.	330° 56' 00"
DUNSTER PILLAR	150° 15' 00"		
SADDLEBACK PILLAR	172° 21' 20"		