

75  
 11  
 (P)  
 185

Department of Lands

STATION TS 10302 CAMDEN PARK

Co: CAMDEN Ph: CAMDEN

Map Sheet: CAWDE 1 10,000 No: 6472

Inspected by: L.M HAYES Date: 18-5-77

Authority: DEPT LANDS Field Book: 61, 62A

RECONNAISSANCE and MAINTENANCE REPORT

Integrated Survey of N.S.W.

This Trig. Station has been:-

Note: Cross out word or words which do not apply

1. Completely cleared to permit 360° vision to surrounding Trigs.

2. Cleared by lanes bearing ..... from Trig. Mast

3. Trig. Mast & Vanes have been painted white & black respectively.

4. The Trig. was unpiled/~~not unpiled~~, dimensions now being:

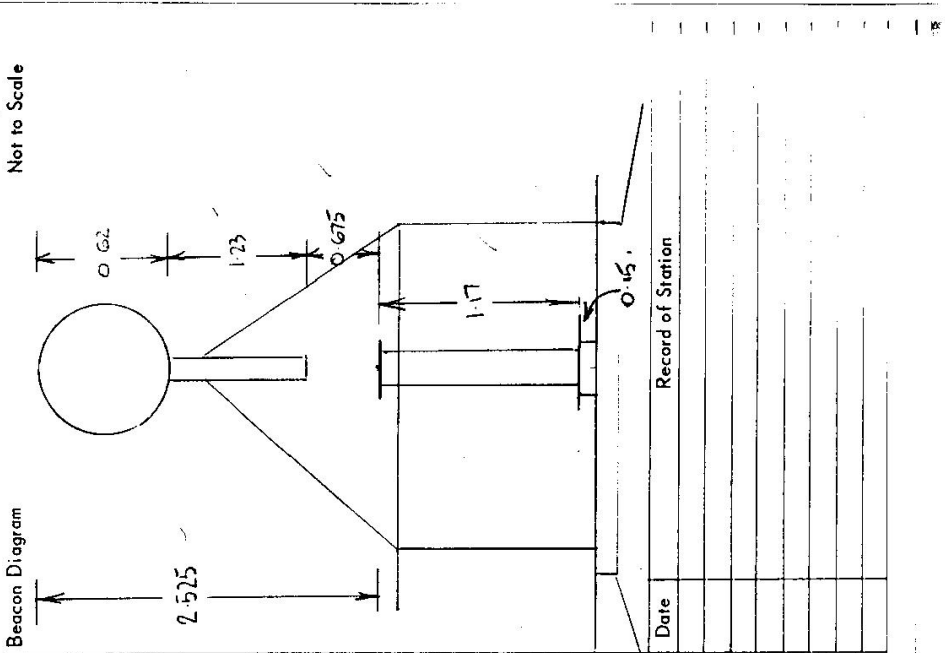
Description of mark... Rooftop beacon ... should be explicit, e.g. Steel plug, Brass plug, Bolt, Concrete Pillar

Height of mark... 1.32 m <sup>above</sup> / ~~below~~ rooftop concrete ... m <sup>above</sup> / ~~below~~ G.L.

Height of Top Vanes to ~~Top Mark~~/Top pillar plate... 2.525 m Diameter of Vanes (vertical) 0.67 m.

Height of Cairn... m. Diameter of Cairn... m.

Length of Mast 1.85 m. (approximate if not unpiled)



5. A... set in conc/rock has been placed/td ..... m. bearing .....°M from Trig. Mast/pillar

6. A... set in conc./soil has been placed/td ..... m. bearing .....°M from Trig. Mast/pillar

7. A... set in conc./soil has been placed/td ..... m. bearing .....°M from Trig. Mast/pillar

8. A... set in conc/rock has been placed/td ..... m. bearing .....°M from Trig. Mast/pillar

9. Connection..... to..... m. bearing.....°M

10. Connection..... to..... m. bearing.....°M

11. Connection..... to..... m. bearing.....°M

12. Connection..... to..... m. bearing.....°M

13. Diff. Ht. .... is..... m. <sup>above</sup> / ~~below~~ .....

14. Diff. Ht. .... is..... m. <sup>above</sup> / ~~below~~ .....

15. Diff. Ht. .... is..... m. <sup>above</sup> / ~~below~~ .....

16. Diff. Ht. .... is..... m. <sup>above</sup> / ~~below~~ .....

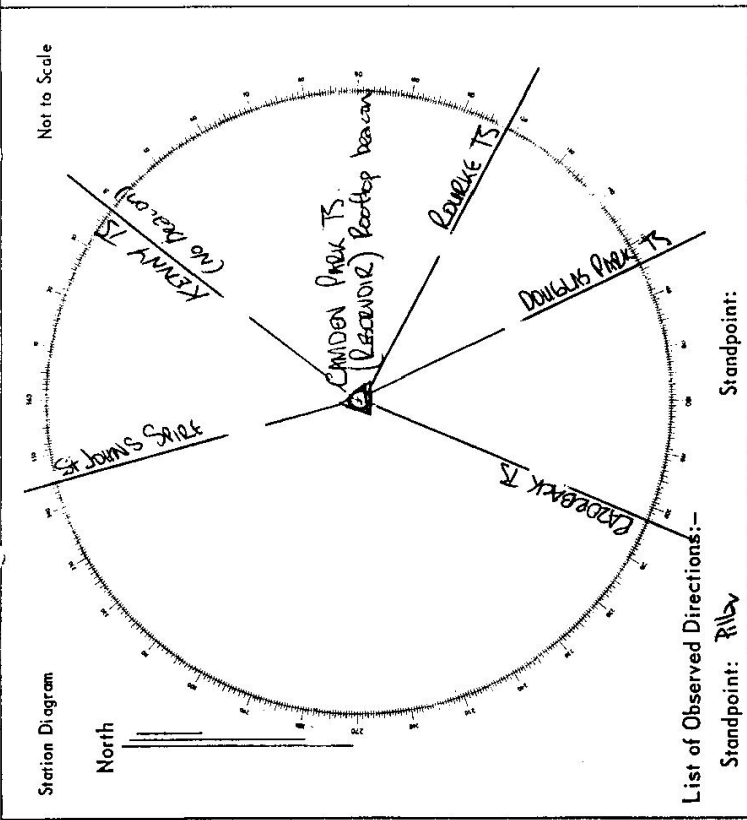
Prepared by: L. M HAYES Checked: [Signature]

TS 10302 STATION CAMDEN PARK RES (P)

Owners Name: M.N.S.A.D.B.  
 Current Occupant:  
 Address:  
 Address:

Access: 18-8-1977  
 Conventional Vehicle Access

Approx 2km south of CAMDEN on eastern side of Hume Highway  
 Note: Waterwood Key needed for access ~~and~~ to compound and location.



List of Observed Directions:-

Station	Direction	Station	Direction
Robeck TS (P)	112° 00' 00"	Robeck TS	
Douglas Park TS (P)	147° 37' 37"		
KENNY TS	37° 38' 22.5"		
Standpoint = Pillar			
St Johns Spire (P)	348° 03' 17.4"	Station	Direction
Robeck TS (P)	117° 36' 56.7"		
Douglas Park TS (P)	153° 00' 37.2"		
ROBECK TS (P)	204° 51' 57.4"		