

CENTRAL MAPPING AUTHORITY
Department of Lands

Trigonometric Survey of N.S.W.

7-4-88

RECONNAISSANCE and MAINTENANCE REPORT

STATION BELLAMBI R. TS 10289
(OFFICIALLY CORRAL RES.)

Co. CAMDEN
Map Sheet: BELLAMBI 1:10000
No. W 82532

PH: WINDONIA

Inspected by: W.F. GREGORY

Date: G-8-79

Authority: M.W.S. & D.B.

Field Book: 5500
5501

Beacon Diagram

Not to Scale

Note: Cross out word or words which do not apply

This Trig. Station has been:-

1. Completely cleared to permit 360° vision to surrounding Trigs. ✓
2. Cleared by lanes bearing from Trig. Mast
3. ~~Trig. Mast & Vanes have been painted white & black respectively.~~ VANE BLACK MAST & STRUCTURE SILVER PAINT.

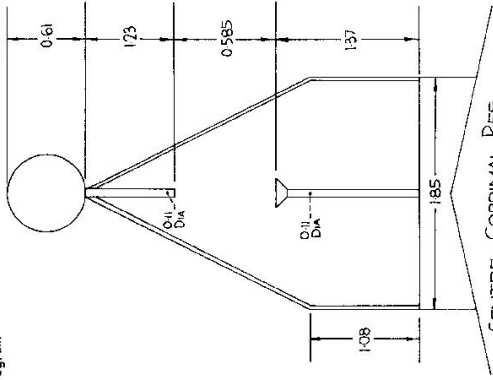
4. The Trig. was unpiled/~~not unpiled~~, dimensions now being: Original Station Mark found/~~not found~~
Description of mark: STEEL OBSERVING PILLAR AT CENTRE... should be explicit, e.g. Steel plug, Brass plug, Bolt, G.I. Pipe
CORRAL RESERVE
Height of mark.....m above rock/concretem below G.L.
Height of Top Vanes to Top Mark 2.425...m. Diameter of Vanes (vertical) 0.91...m.

Height of Cairn.....m. Diameter of Cairn.....m.
Length of Mast 1.84...m. (approximate if not unpiled)

5. A.....set in conc./rock has been placed.....m. bearing.....°M from Trig. Mast
6. A.....set in conc./soil has been placed.....m. bearing.....°M from Trig. Mast
7. A.....set in conc./soil has been placed.....m. bearing.....°M from Trig. Mast
8. A.....set in conc./rock has been placed.....m. bearing.....°M from Trig. Mast

9. Connection.....to.....m. bearing.....°M
10. Connection.....to.....m. bearing.....°M
11. Connection.....to.....m. bearing.....°M
12. Connection.....to.....m. bearing.....°M

13. Diff. Ht.is.....m. above below
14. Diff. Ht.is.....m. above below
15. Diff. Ht.is.....m. above below
16. Diff. Ht.is.....m. above below



Date

Prepared by: I. TEMPLEMAN

Checked: ✓

Noted on U.T.M. Card

Checked

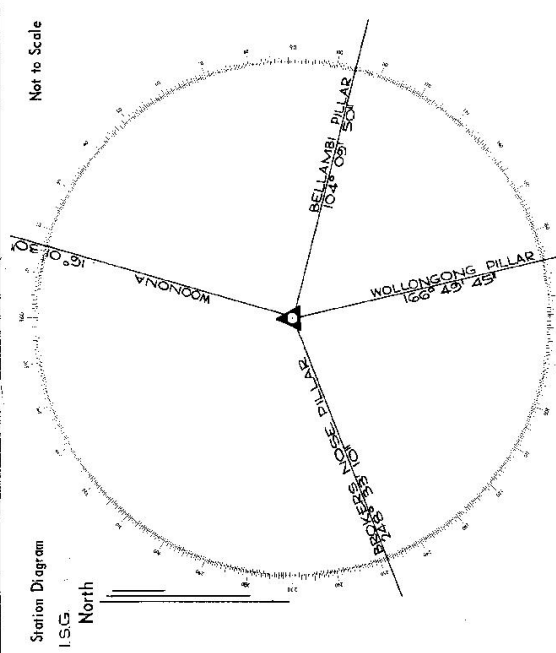
108-57-79

STATION BELLAMBI TS (OFFICIALLY CORRAL RES)

Owners Name: M.W.S. & D.B.
 Address: GNR. PITT & BATHURST
 S.T.S. SYDNEY

Current Occupant: M.W.S. & D.B.
 Address: GNR. PITT & BATHURST
 S.T.S. SYDNEY

Access 6-8-1979
 DIRECTION AT INTERSECTION OF ROTHERY RD & ROBSON ST. WITH THE PRINCES HWAY AT NORTH CORRAL. TURN WEST INTO ROBSON ST. TURN RIGHT INTO WILFORD RD. AT END OF WILFORD RD. GO THROUGH GATE ON LEFT ONTO WARRIOR BOARD ACCESS RD. ENTRANCE TO CORRAL RESERVOIR. CLIMB STAIRS TO TOP OF RESERVOIR TO REACH TRIG.



List of Observed Directions:-

Standpoint: PILLAR CENTRE RES.		Standpoint:	
Station	Direction	Station	Direction
BARKERS NOSE PILLAR	0° 00' 00"		
WOONONGA	127° 28' 20"		
BELLAMBI PILLAR	215° 30' 40"		
WOLLONGONG PILLAR	278° 16' 35"		
Station	Direction	Station	Direction