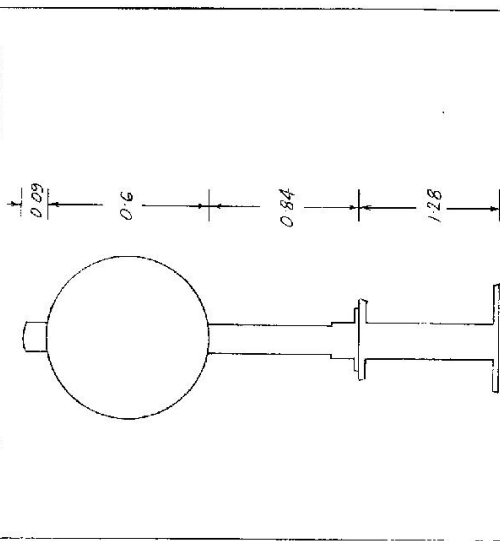


74.03

Department of Lands Integrative Survey of N.S.W. RECONNAISSANCE and MAINTENANCE REPORT 2023 STATION WARKWORTH 8 (P) 75 10238

Co: HUNTER Ph: WARKWORTH
 Map Sheet: BASSOCK 1:100 000 No: 9132
 Inspected by: CS Collier Date: 30.8.21
 Authority: Integration Services Field Book: PDP 246
 Beacon Diagram Not to Scale



This Trig. Station has been:- Note: Cross out word or words which do not apply

1. Completely cleared to permit 360° vision to surrounding Trigs.
2. Cleared by lanes bearing..... from Trig. Mast
3. Trig. Mast & Vanes have been painted white & black respectively. ✓
4. The Trig. was unpiled ~~not unpiled~~, dimensions now being:

Description of mark SILVER PILLAR should be explicit, e.g. Steel plug, Brass plug, Bolt, Concrete Pillar
 Height of mark..... 1.28 m ^{above} ~~below~~ rock concrete 1.33 m ^{above} ~~below~~ G.L.
 Height of Top Vanes to Top ~~Mast~~ Top pillar plate 1.44 m Diameter of Vanes (vertical) 0.6 m.
 Height of Cairn..... 1.28 m. Diameter of Cairn..... m.
 Length of Mast..... 1.53 m. (approximate if not unpiled)

5. A..... set in conc/rock has been placed/fd m. bearing.....°M from Trig. Mast/pillar
6. A..... set in conc/soil has been placed/fd m. bearing.....°M from Trig. Mast/pillar
7. A..... set in conc/soil has been placed/fd m. bearing.....°M from Trig. Mast/pillar
8. A..... set in conc/rock has been placed/fd m. bearing.....°M from Trig. Mast/pillar

9. Connection..... to..... m. bearing.....°M
10. Connection..... to..... m. bearing.....°M
11. Connection..... to..... m. bearing.....°M
12. Connection..... to..... m. bearing.....°M
13. Diff. Ht. is..... m. ^{above} ~~below~~
14. Diff. Ht. is..... m. ^{above} ~~below~~
15. Diff. Ht. is..... m. ^{above} ~~below~~
16. Diff. Ht. is..... m. ^{above} ~~below~~

Prepared by: CS COLLIER Checked: CS Collier

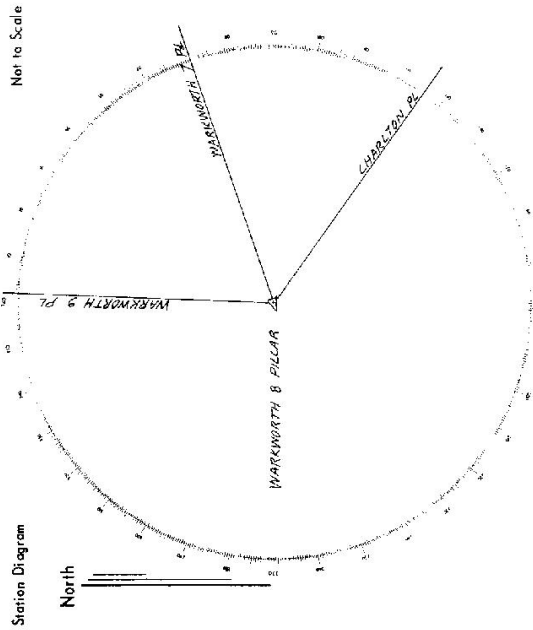
STATION *MARKWORTH 8 (P)* TS 10238

Owners Name..... Current Occupant.....

Address..... Address.....

Access **30-8-1976**

TAKE PUTTY ROAD FROM SINGLETON
 TRAVEL APPROX 11.7 KM FROM SINGLETON
 TURN RIGHT ALONG ROAD TO JERRY'S PAINS
 TURN LEFT THROUGH GATE 7.6 KM FROM PUTTY ROAD
 FOLLOW TRACK ALONG MAIN RIDGE 3.5 KM TO SECOND GATE
 TURN LEFT AND FOLLOW FENCE 200M TO PILLAR



List of Observed Directions:-

Standpoint: PILLAR		Station	Direction
CHARLTON PL	0° 00' 00"		
MARKWORTH 9 PL	236° 31' 26.5"		
MARKWORTH 7 PL	305° 37' 57.2"		

Station	Direction	Station	Direction