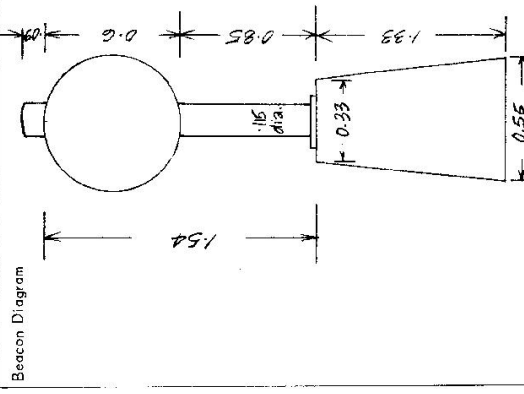


Department of Lands Integrator by of N.S.W. RECONNAISSANCE and MAINTENANCE REPORT 10174 STATION MONTRKOSE (P) IS 10174

Co: HUNTER Ph: WAMBO No:
 Inspected by: P.McBeath Date: 30.7.75
 Authority: INTEGRATION SURVEYS. Field Book: 275

This Trig. Station has been:-
 Note: Cross out word or words which do not apply

1. Completely cleared to permit 360° vision to surrounding Trigs. ✓
2. Cleared by lanes bearing..... from Trig. Mast
3. Trig. Mast & Vanes have been painted white & black respectively. ✓
4. The Trig. ~~was unimpeded~~, dimensions now being: **NEW STATION.**
 Description of mark... CONCRETE PILLAR should be explicit, e.g. Steel plug, Brass plug, Bolt, Concrete Pillar
 Height of mark..... m above reel-concrete 1.33 m above G.L.
 Height of Top Vanes to Top Mast/Top pillar plate 1.54 m Diameter of Vanes (vertical) 0.6 m.
 Height of Cottar 1.33 m. Diameter of Cottar..... m
 Length of Mast 1.53 m. (approximate if not impeded)
5. A C.S. 1 set in conc/rock has been placed 5.72 m. bearing 153 °M from Trig. Mast/pillar
6. A C.S. 2 set in conc/soil has been placed 5.53 m. bearing 234 °M from Trig. Mast/pillar
7. A..... set in conc/soil has been placed fd..... m. bearing..... °M from Trig. Mast/pillar
8. A..... set in conc/rock has been placed fd..... m. bearing..... °M from Trig. Mast/pillar
9. Connection C.S. 1 to C.S. 2..... m. bearing 282..... °M
10. Connection..... to..... m. bearing..... °M
11. Connection..... to..... m. bearing..... °M
12. Connection..... to..... m. bearing..... °M
13. Diff. Ht. is..... m. ^{above}/_{below}
14. Diff. Ht. C.S. 1..... is 1.49 m. ^{above}/_{below} Pillar Plate.....
15. Diff. Ht. C.S. 2..... is 1.41 m. ^{above}/_{below} Pillar Plate.....
16. Diff. Ht. C.S. 3..... is 0.92 m. ^{above}/_{below} Pillar Plate.....



Date	Record of Station
1975	NEW STATION

Prepared by: McBeath Checked: CSA

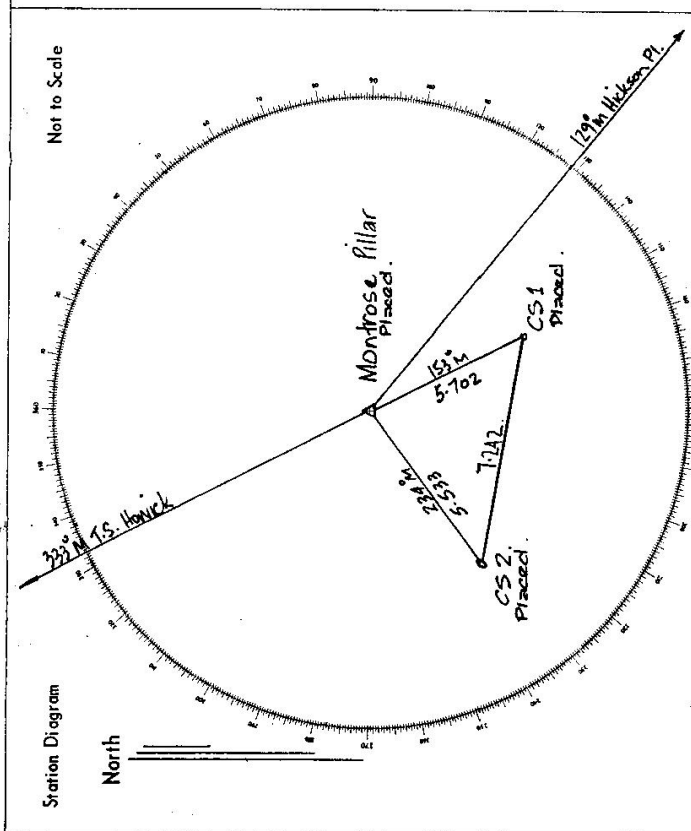
STATION **MONTROSE (P)** TS 10174

Owners Name: Mr. Fisher
 Current Occupant: Owner
 Address: Montrose
Jerry's Plains

Access: 30-7-1975

From Singleton take Putty Rd towards Broke.
 Turn right off Putty Rd and take bitumen road
 towards Deenan & Jerry's Plains

Miles	Feature
00	At Turn off to Maison Dieu and Lemington - Buchanan Mine. Travel towards Jerry's Plains
4.80	Turn left through 'Montrose' grid, follow bitumen road between houses
5.1	Through iron gate. turn hard right and follow fence.
5.15	Through iron gate. turn hard left and follow fence to the end, turn sharp right and follow track to Trig.
5.45	Trig.



List of Observed Directions:-

Station	Direction	Station	Direction
Hickson Pillar	0° 00' 00"	Montrose Pillar	240° 39' 24.0"
PM 33294	20° 11' 12.08"	CS1 (Comp. Peg)	322° 56' 17.50"
T.S. Ogilvie	172° 50' 51.58"	CS 2	24° 29' 58.5"
T.S. Arthur	195° 30' 40.75"	CS 2	104° 46' 20.5"
T.S. Howick	204° 00' 10.47"	T.S. Crossstreet	233° 53' 33.33"
Standpoint CS1			
Station	Direction	Station	Direction
Ravensworth Pt.	239° 12' 17.08"	Concrete Pillar CS2	0° 00' 00" ✓
			311° 09' 45" ✓