

75-10116

Department of Lands

Integration by of N.S.W.

RECONNAISSANCE and MAINTENANCE REPORT

STATION Forest

T.S. 10116

This Trig. Station has been:

Note: Cross out word or words which do not apply

- 1. Completely cleared to permit 360° vision to surrounding Trigs.
- 2. Cleared by lanes bearing
- 3. Trig. Mast & Vanes have been painted white
- 4. The Trig. was unpiled/not unpiled, dimensions now being:

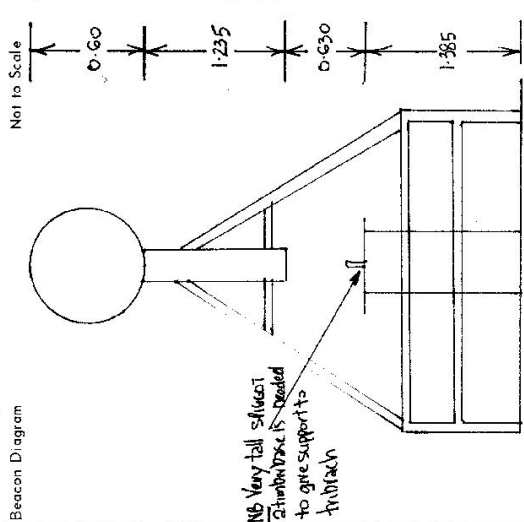
Description of mark: steel pillar should be explicit, e.g. Steel plug, Brass plug, Bolt, Concrete Pillar  
 Height of mark: 1.385 m above steel platform / rock concrete m above G.L.  
 Height of Top Vanes to Top pillar plate 2.465 m Diameter of Vanes (vertical) 0.60 m.  
 Height of Cairn \_\_\_\_\_ m. Diameter of Cairn \_\_\_\_\_ m.  
 Length of Mast 1.835 m. (approximate if not unpiled)

- 5. A. \_\_\_\_\_ set in conc./rock has been placed/rd \_\_\_\_\_ m. bearing \_\_\_\_\_ °M from Trig. Mast/pillar
- 6. A. \_\_\_\_\_ set in conc./soil has been placed/rd \_\_\_\_\_ m. bearing \_\_\_\_\_ °M from Trig. Mast/pillar
- 7. A. \_\_\_\_\_ set in conc./soil has been placed/rd \_\_\_\_\_ m. bearing \_\_\_\_\_ °M from Trig. Mast/pillar
- 8. A. \_\_\_\_\_ set in conc./rock has been placed/rd \_\_\_\_\_ m. bearing \_\_\_\_\_ °M from Trig. Mast/pillar

- 9. Connection \_\_\_\_\_ to \_\_\_\_\_ m. bearing \_\_\_\_\_ °M
- 10. Connection \_\_\_\_\_ to \_\_\_\_\_ m. bearing \_\_\_\_\_ °M
- 11. Connection \_\_\_\_\_ to \_\_\_\_\_ m. bearing \_\_\_\_\_ °M
- 12. Connection \_\_\_\_\_ to \_\_\_\_\_ m. bearing \_\_\_\_\_ °M
- 13. Diff. Ht. \_\_\_\_\_ is \_\_\_\_\_ m. above / below
- 14. Diff. Ht. \_\_\_\_\_ is \_\_\_\_\_ m. above / below
- 15. Diff. Ht. \_\_\_\_\_ is \_\_\_\_\_ m. above / below
- 16. Diff. Ht. \_\_\_\_\_ is \_\_\_\_\_ m. above / below

Prepared by: L. M. Hayes 4-6-76 Checked: [Signature]

Co: CUMBERLAND Ph: MIRNLY COLE  
 Map Sheet: FORENSIC FOREST No: 1960  
 Inspected by: L. M. Hayes Date: 25th May 1976  
 Authority: Dept Lands Field Book: GBL 104



NB Very tall silicate  
 2" thick base is needed  
 to give supports to  
 attach

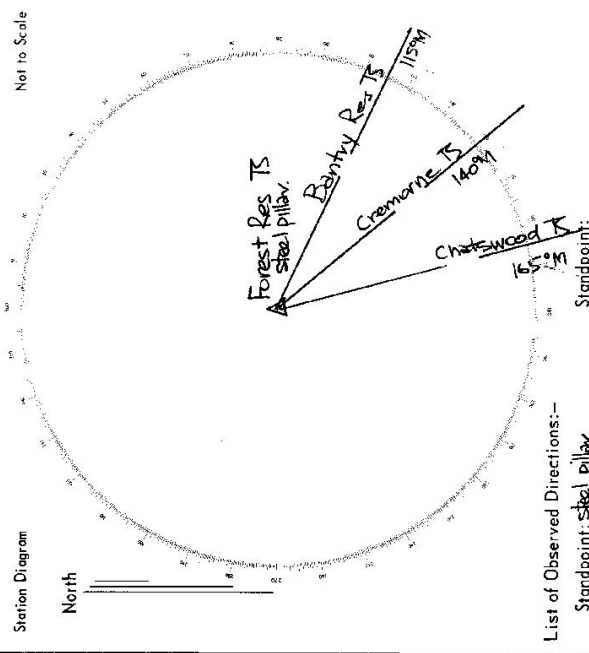
Date \_\_\_\_\_ Record of Station \_\_\_\_\_

STATION Forest T.S. 10116

Owners Name: MWS. & DB. Current Occupant: .....

Address: ..... Address: .....

Access: 2.5-5-1976 Conventional Vehicle  
 UBD Map 30 Reference. L.M, 6.7  
 Access off Panorama Cres. (Drive) Fitzpatrick Ave (walk)  
 Water/board key necessary for gate & ladder.



List of Observed Directions:-

Station	Direction	Station	Direction
Standpoint: steel pillar			
Bantry Res TS	89° 59' 60"		
Cremorne TS	25° 31' 32.8"		
Chatswood TS	57° 22' 20.2"		

