

CENTRAL MAPPING AUTHORITY
Department of Lands

Trigonometrical Survey of N.S.W.

RECONNAISSANCE and MAINTENANCE REPORT

7-4-98

STATION TS 10101 (St Mary Maitland)

Co: *Nor. Cumberland* Ph: *Maitland*
Map Sheet: *Maitland* No: *U-4572*
Inspected by: *A.M.J. DUFFY* Date: *27/10/88*
Authority: *C.M.A.* Field Book: *---*

This Trig. Station has been:-

Note: Cross out word or words which do not apply

1. Completely cleared to permit 360° vision to surrounding Trigs.
2. Cleared by lances bearing *Spire* from Trig-Mast
3. Trig. Mast & Vanes have been painted white & black respectively.
4. The Trig. was unpiled/not unpiled, dimensions now being:

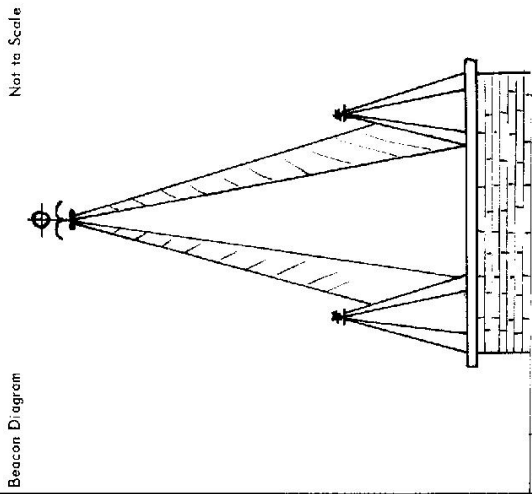
Description of mark *Spire on Church* should be explicit, e.g. Steel plug, Brass plug, Bolt, G.I. Pipe

Height of mark *above* m *below* m *rock/concrete* *above* m *below* m *G.I.*
Height of Top Vanes to Top Mark m. Diameter of Vanes (vertical) m.
Height of Cairn m. Diameter of Cairn m.

- Length of Mast m. (approximate if not unpiled)
5. A. set in conc/rock has been placed m. bearing°M from Trig. Mast
 6. A. set in conc/soil has been placed m. bearing°M from Trig. Mast
 7. A. set in conc/soil has been placed *ble* m. bearing°M from Trig. Mast
 8. A. set in conc/rock has been placed *off* m. bearing°M from Trig. Mast

9. Connection to m. bearing°M
10. Connection to *Not* m. bearing°M
11. Connection to *Not* m. bearing°M
12. Connection to m. bearing°M
13. Diff. Ht. is m. *above* *below*
14. Diff. Ht. is m. *above* *below*
15. Diff. Ht. is m. *above* *below*
16. Diff. Ht. is m. *above* *below*

Prepared by: *A.D.T.D.* Checked: *h* on U.T.M. Card



Date: *1861*
Record of Station: *Church a spire erected*
1988 Diagram drawn

Checked

