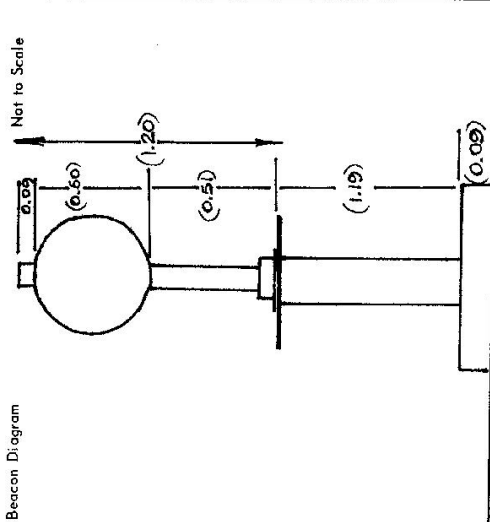


75-107

STATION **TS 10085 (PROSPECT COUNCIL)**

Co: **CUMBERLAND** Pht: **PARRAMATTA**  
Map Sheet: **PARRAMATTA 1/10000** No: **0052**  
Inspected by: **J. KWASNICA** Date: **1/2/83**  
Authority: **SURVEY CONTROL BOARD** Field Book: **1849 III/2**



Beacon Diagram

Date  
Record of Station

Department of Lands  
Integration  
RECONNAISSANCE and MAINTENANCE REPORT

Note: Cross out word or words which do not apply

This Trig. Station has been:-

- 1. Completely cleared to permit 360° vision to surrounding Trigs.
- 2. Cleared by limes bearing .....
- 3. Trig. Mast & Vanes have been painted white & black respectively.
- 4. The Trig. was unpiled/not unpiled, dimensions now being:

Description of mark... **ROOF TOP PILLAR** should be explicit, e.g. Steel plug, Brass plug, Bolt, Concrete Pillar  
 Height of mark..... <sup>1.19</sup> m <sup>above</sup> ~~rock~~/concrete ..... <sup>1.28</sup> m <sup>above</sup> ~~stone~~ G.L.  
 Height of Top Vanes to Top-Mark/Top pillar plate ..... <sup>1.11</sup> m Diameter of Vanes (vertical) **0.60**.....m.  
 Height of Cairn.....m. Diameter of Cairn.....m.

- Length of Mast **2.39** m. (approximate if not unpiled)
- 5. **A**.....**BT**.....set in conc/~~rock~~ has been placed/**At 3.080** m. bearing **317** °M from Trig. Mast/pillar
- 6. **A**.....set in conc/soil has been placed/**id**.....m. bearing ..... °M from Trig. Mast/pillar
- 7. **A**.....set in conc/soil has been placed/**id**.....m. bearing ..... °M from Trig. Mast/pillar
- 8. **A**.....set in conc/rock has been placed/**id**.....m. bearing ..... °M from Trig. Mast/pillar

- 9. Connection **PILLAR** to **BT** : **3.080** m. bearing **317** °M
- 10. Connection ..... to ..... m. bearing ..... °M
- 11. Connection ..... to ..... m. bearing ..... °M
- 12. Connection ..... to ..... m. bearing ..... °M
- 13. Diff. Ht. **BRASS A** is **1.235** m. <sup>above</sup> ~~below~~ **PILLAR PLATE**
- 14. Diff. Ht. .... is ..... m. <sup>above</sup> ~~below~~ .....
- 15. Diff. Ht. .... is ..... m. <sup>above</sup> ~~below~~ .....
- 16. Diff. Ht. .... is ..... m. <sup>above</sup> ~~below~~ .....

Prepared by J. Kwasnica Checked:

STATIONTS 10085 | (PROSPECT COUNCIL [P])

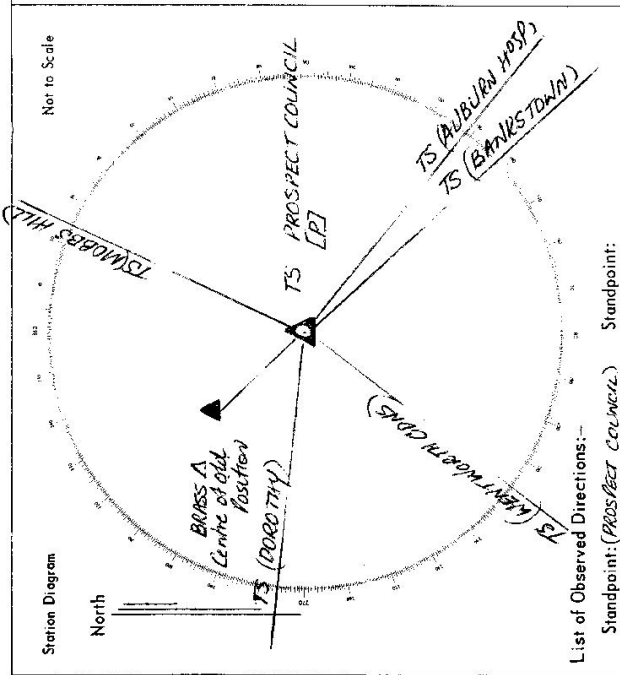
Owners Name: PROSPECT COUNTY COUNCIL Current Occupant: .....

Address: 10 SMITH ST, Address: .....

PARRAMATTA

Access: .....

PARK VEHICLE IN BACK OF BUILDING,  
GO TO COUNTER ON GROUND FLOOR  
WHERE YOU WILL BE ISSUED WITH  
VISITORS PASS. GUARD WILL SHOW  
YOU TO ROOF.



List of Observed Directions:-

Standpoint: (PROSPECT COUNCIL)		Standpoint:	
Station	Direction	Station	Direction
TS (ALBUEN HOSP)	129°00'00"	TS (MORRIS HILL)	247°57'07"
TS (BANKS TOWN)	138°45'27"		
TS (MOUNTAIN CLIFFS)	217°48'48"		
TS (DOROTHY)	275°45'26"		
TS (COUNCIL)	317°06'31.0"		