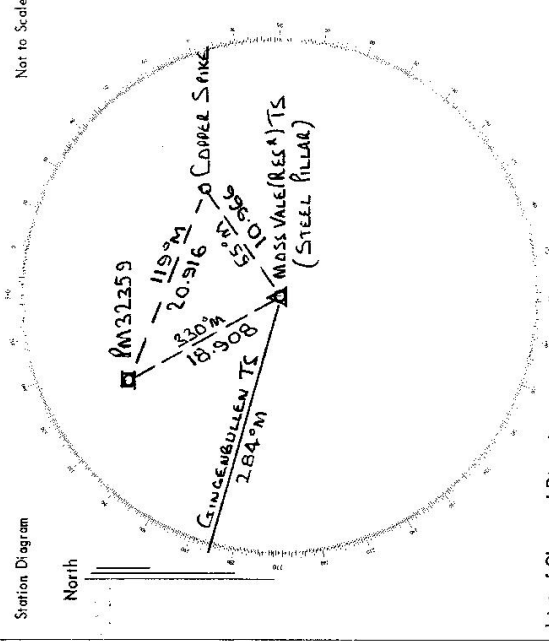


STATION MASS VALE (P) 10025 TS

Owners Name.....
 Current Occupant.....
 Address.....
 Address.....

Access 10-12-1415

Not to Scale



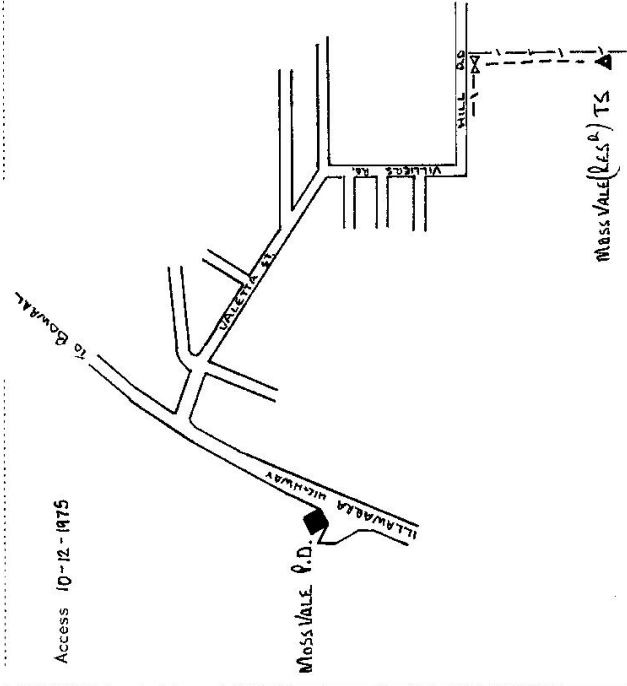
List of Observed Directions:-

Standpoint: VILLAGE

Station	Direction	Station	Direction
GINGEBOLLEN TS	355 59 60	GINGEBOLLEN TS	355 59 60
PM32359	171 17 47	COPPER SPIKE	196 01 31
COPPER SPIKE	131 52 39	ASHBY TS	200 29 18
ASHBY TS	200 13 54	PILLAR	207 35 20

Standpoint: PM32359

Station	Direction	Station	Direction



75-138

Department of Lands Integral Survey of N.S.W.
RECONNAISSANCE and MAINTENANCE REPORT

STATION **T3 10025 (Moss Vale) (F)**
 Co: **CARDEN** Ph: **BONG BONG**
 Map Sheet: **Moss Vale** No: **8528-1-N**
 Inspected by: **C. STRAKER** Date: **27/3/80**
 Authority: **INTERSECTION SEAWAYS** Field Book: **833/18**
 Beacon Diagram Not to Scale

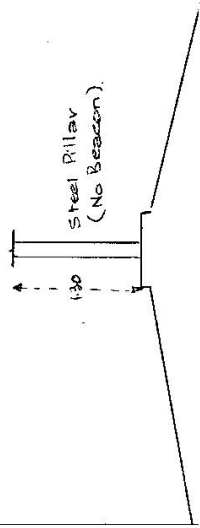
This Trig. Station has been:-
 Note: Cross out word or words which do not apply

1. Completely cleared to permit 360° vision to surrounding Trigs. ✓
2. ~~Cleared by fumes-bearing~~ from Trig. Mast
3. ~~Trig. Mast & Vanes have been painted white & black respectively.~~
4. The Trig. was ~~unpiled/not unpiled~~, dimensions ~~now being~~.
 Description of mark: **Steel Pillar On Res^l** should be explicit, e.g. Steel plug, Brass plug, Bolt, Concrete Pillar
 Height of mark: **1.30** m ^{above} ~~below~~ **Rock/Concrete** **Alt 7.15** m ^{above} G.L.

- Height of Top Vanes to Top Mark/Top pillar plate m Diameter of Vanes (vertical) m.
 Height of Cairn m Diameter of Cairn m.
 Length of Mast m. (approximate if not uplied)
5. A. **PM 32357** set in ~~concrete~~ rock has been placed/fd **22.545** m, bearing **342** °M from Trig. ~~Mast~~ pillar
 6. A. set in conc./soil has been placed/fd m, bearing °M from Trig. Mast/pillar
 7. A. set in conc./soil has been placed/fd m, bearing °M from Trig. Mast/pillar
 8. A. set in conc./rock has been placed/fd m, bearing °M from Trig. Mast/pillar

9. Connection to m, bearing °M
10. Connection to m, bearing °M
11. Connection to m, bearing °M
12. Connection to m, bearing °M
13. Diff. Hr. **Pillar Plate** is **7.576** m ^{above} ~~below~~ **PM 32359**
14. Diff. Hr. is m, ^{above} ~~below~~
15. Diff. Hr. is m, ^{above} ~~below~~
16. Diff. Hr. is m, ^{above} ~~below~~

Prepared by: Val Brown Checked: Michaela 14/8/80



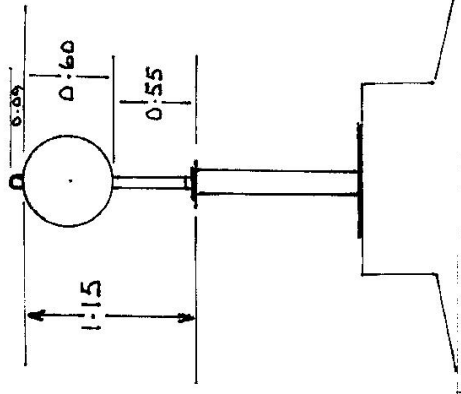
Date	Record of Station
May 80	Steel Pillar was found to have been shifted from platform (top of stairs) to present position in centre of reservoir.

2.6.13.3

Department of Lands Integral survey of N.S.W.
RECONNAISSANCE and MAINTENANCE REPORT

STATION **MOSS VALE (P)** TS **10025**
 Co: **CAMDEN** Pht: **BONG BONG**
 Map Sheet: **MOSS VALE** No: **8928-1-N**
 Inspected by: **H.C. BORDER** Date: **27-2-92**
 Authority: **SURVEY CONTROL** Field Book:

Beacon Diagram Not to Scale



Date: **27/2/92** Record of Station
 New mast & Vanes placed.
 Access has a locked gate at
 Mill Rd. Keys for locked gate
 are at WINGE CARIBEE
 SHIRE COUNCIL. SHIRE ENGINEER
 Keys B1 or B3-63

This Trig. Station has been: *Note: Cross out word or words which do not apply*

1. Completely cleared to permit 360° vision to surrounding Trigs.
2. Cleared by lanes bearing..... from Trig. Mast
3. Trig. Mast & Vanes have been painted white & black respectively.
4. The Trig. was unpiled/not unpiled, dimensions now being:

Description of mark..... should be explicit, e.g. Steel plug, Brass plug, Bolt, Concrete Pillar

Height of mark..... m ^{above} / _{below} rock/concrete m ^{above} / _{below} G.L.

Height of Top Vanes to Top Mark/Top pillar plate..... m Diameter of Vanes (vertical)..... m.

Height of Cairn..... m. Diameter of Cairn..... m.

Length of Mast..... m. (approximate if not unpiled)

5. A..... set in conc/rock has been placed/fd..... m. bearing.....°M from Trig. Mast/pillar
6. A..... set in conc/soil has been placed/fd..... m. bearing.....°M from Trig. Mast/pillar
7. A..... set in conc/soil has been placed/fd..... m. bearing.....°M from Trig. Mast/pillar
8. A..... set in conc/rock has been placed/fd..... m. bearing.....°M from Trig. Mast/pillar

9. Connection..... to..... m. bearing.....°M

10. Connection..... to..... m. bearing.....°M

11. Connection..... to..... m. bearing.....°M

12. Connection..... to..... m. bearing.....°M

13. Diff. Ht. is..... m. ^{above} / _{below}

14. Diff. Ht. is..... m. ^{above} / _{below}

15. Diff. Ht. is..... m. ^{above} / _{below}

16. Diff. Ht. is..... m. ^{above} / _{below}

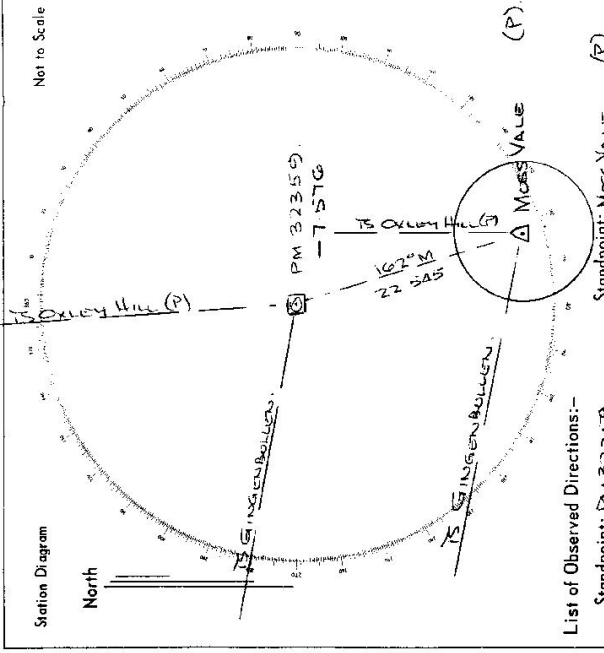
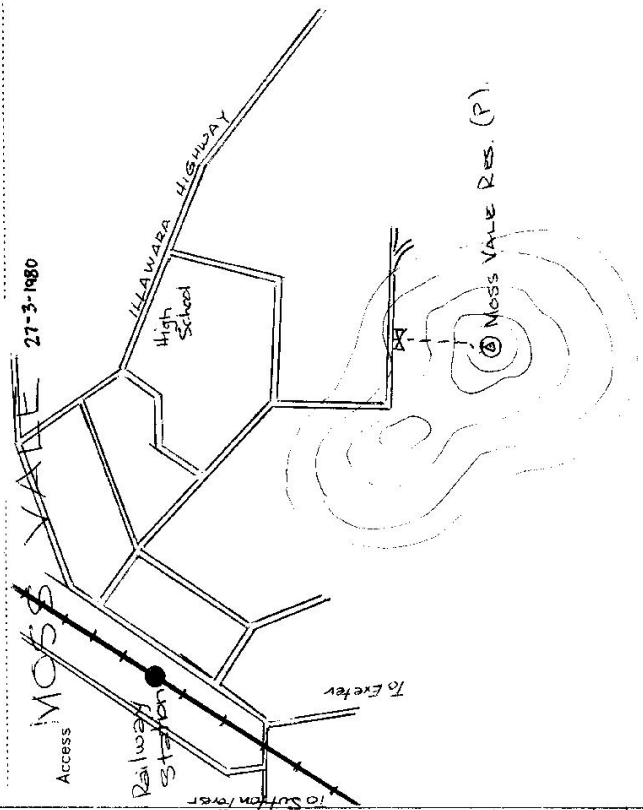
Prepared by: _____ Checked: _____

STATION TS10025 Moss Vale (P)

Owners Name Current Occupant.....

Address..... Address.....

27-3-1980



List of Observed Directions:-

Station	Direction	Station	Direction
TS Moss Vale (P)	162 00 00	TS Ginien Bullen	0 00 00
TS Ginien Bullen	279 41 34	TS Moss Vale (P)	338 45 59
TS Oxley Hill (P)	338 45 59	TS Oxley Hill (P)	16 51 32